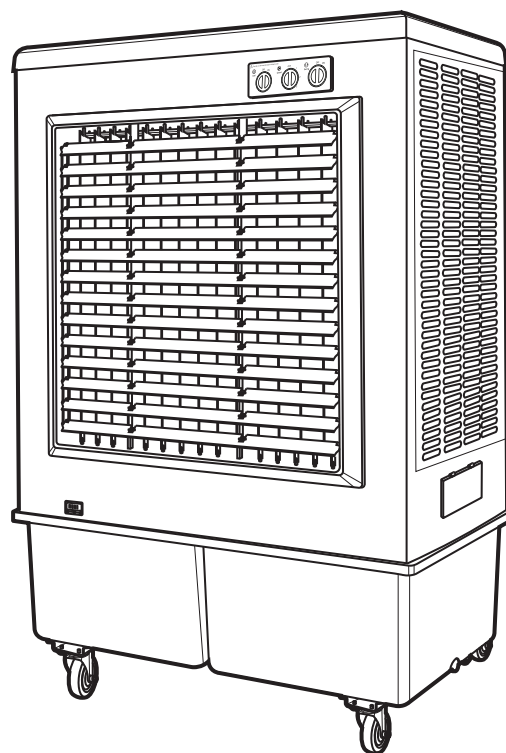


H136180



H136181

- (EN) Instruction manual
- (NL) Gebruiksaanwijzing
- (FR) Manuel d'utilisation
- (DE) Bedienungsanleitung

Air cooler

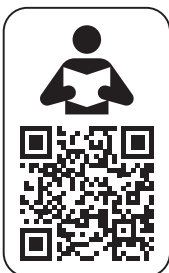
- (NL) Luchtkoeler
- (FR) Rafraîchisseur d'air
- (DE) Luftkühler



ENGLISH	3
NEDERLANDS	10
FRANÇAIS	18
DEUTSCH	27



H136180



H136181



- (EN)** Download this manual in your preferred language by scanning the QR code.
- (NL)** Download deze handleiding in uw gewenste taal door de QR-code te scannen.
- (FR)** Téléchargez ce manuel dans la langue de votre choix en scannant le code QR.
- (DE)** Laden Sie dieses Handbuch in Ihrer bevorzugten Sprache herunter, indem Sie den QR-Code scannen.
- (IT)** Scarica questo manuale nella tua lingua preferita scansionando il codice QR.
- (ES)** Descargue este manual en su idioma preferido mediante el código QR.
- (PL)** Instrukcję można pobrać w swoim języku po zeskanowaniu kodu QR.
- (DK)** Download denne manual på dit foretrukne sprog ved at scanne QR-koden.
- (PT)** Transfira este manual no idioma da sua preferência através da leitura do código QR.

Table of Contents

1. Important safety instructions	4
1.1 General safety instructions	4
1.2 Additional safety instructions	4
1.3 Explanation of symbols	4
1.4 Explanation of signal words	4
1.5 Intended use	4
2. Overview	5
2.1 H136180	5
2.2 H136181	6
2.3 Supplied accessories	6
2.4 Required tools	6
2.5 Specifications	6
3. Before first use	7
3.1 Unpacking	7
4. Operation/Use	7
4.1 Filling the water tank	7
4.2 Using the ice box (H136180 only)	7
4.3 Control panel	8
4.4 Operating the appliance	8
4.5 Draining the water tank	8
5. Cleaning and care	8
5.1 Cleaning	8
5.2 Storage	8
5.3 Transportation	8
6. Maintenance	8
7. Troubleshooting	9
8. Disposal	9
8.1 Product disposal	9
8.2 Packaging/packing materials disposal	9
9. Warranty	9
10. Customer service	9

1. Important safety instructions

⚠ WARNING! Before setting up and using the appliance, read and understand this manual thoroughly.

- » Read, follow and understand this manual to use the appliance safely and efficiently. Ignoring these instructions may result in serious injury or damage.
- » The owner of this appliance is responsible for ensuring its safe use. This includes conducting regular inspections and maintenance, understanding the manual and following the provided instructions for safe use.
- » Keep this manual for future reference. If this appliance is passed to a third party, then this manual must be included.
- » The manufacturer is not liable for any injury or property damage resulting from negligence, modifications or misuse.

⚠ WARNING! Risk of injury due to lack of familiarity with the appliance's use and safety instructions.

- » No list of safety guidelines can be complete. Every environment is different. Accidents are frequently caused by lack of familiarity or distraction.
- » Use this appliance carefully and with caution to reduce the risk of injury. If normal safety precautions are overlooked or ignored, serious injury may occur.

1.1 General safety instructions

- This appliance can be used by children aged from 8 years and above and persons with reduced physical, sensory or mental capabilities or lack of experience and knowledge if they have been given supervision or instruction concerning use of the appliance in a safe way and understand the hazards involved. Children shall not play with the appliance. Cleaning and user maintenance shall not be made by children without supervision.
- If the supply cord is damaged, it must be replaced by the manufacturer, its service agent or similarly qualified persons in order to avoid a hazard.
- Be aware that high humidity levels may encourage the growth of biological organisms in the environment
- Do not permit the area around the humidifier to become damp or wet. If dampness occurs, turn the output of the humidifier down. If the humidifier output volume cannot be turned down, use the humidifier intermittently. Do not allow absorbent materials, such as carpeting, curtains, drapes, or tablecloths, to become damp.
- Do not permit the area around the appliance to become damp or wet. If dampness occurs, turn the output of the appliance down. If the appliance output volume cannot be turned down, use the appliance intermittently. Do not allow absorbent materials, such as carpeting, curtains, drapes, or tablecloths, to become damp.
- Unplug the appliance during filling and cleaning.
- Never leave water in the reservoir when the appliance is not in use.
- Empty and clean the humidifier before storage. Clean the humidifier before next use.

1.2 Additional safety instructions

- Never use a damaged appliance or a appliance that has been dropped! In such cases, disconnect the appliance from the power supply. Then contact the retailer's service centre to have the appliance checked or repaired.
- Never retrieve an electrical appliance that has fallen into water. In such cases, immediately unplug the appliance from the socket-outlet.
- To avoid damaging the power cord, do not squeeze, bend or drag it over sharp edges.
- Keep the power cord and the appliance away from hot surfaces and open flames.
- Never use accessories which are not recommended in this manual. They could pose a safety risk to the user and might damage the appliance. Only use original parts and accessories.
- Remove all accessories or attachments after use.
- Do not insert any objects into the housing of the appliance.

1.3 Explanation of symbols

The following symbols are used in this manual, on the appliance and/or the packaging.



This symbol stands for "Conformité Européenne", which declares "Conformity with EU directives, regulations and applicable standards". With the CE-marking, the manufacturer confirms that this product complies with applicable European directives and regulations.



Refer to and read the manual.



Disconnect mains plug from electrical outlet.



This product is classified as protection class I and must be connected to a protective ground.



Rated voltage and power.

1.4 Explanation of signal words

The following signal words are used in this manual, on the appliance and/or on the packaging.

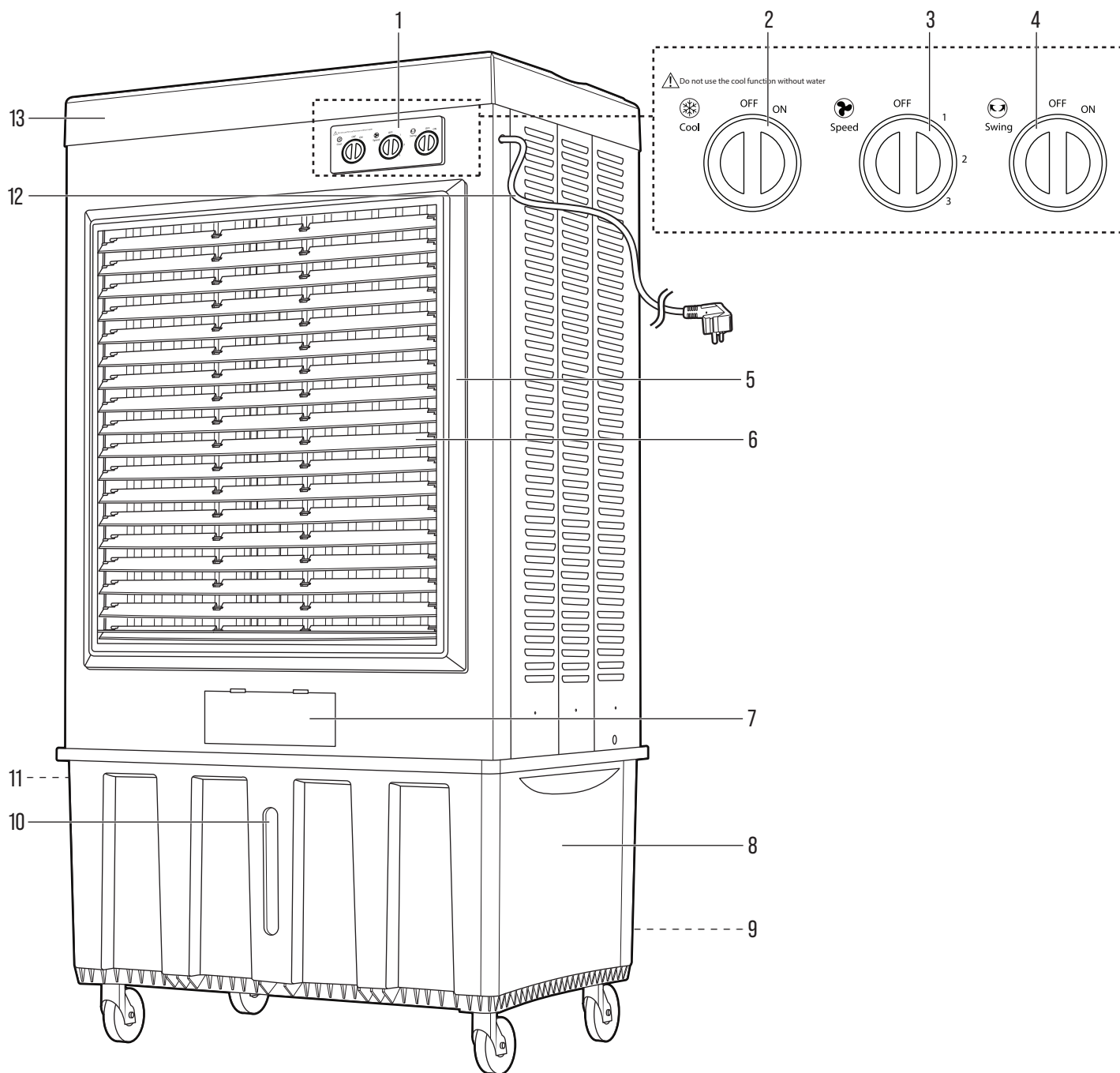
⚠ DANGER!	This signal word is used to indicate an imminently hazardous situation which, if not avoided, will result in death or serious injury.
⚠ WARNING!	This signal word is used to indicate a potentially hazardous situation which, if not avoided, could result in death or serious injury.
⚠ CAUTION!	This signal word is used to indicate a potentially hazardous situation which, if not avoided, could result in minor or moderate injury.
CAUTION!	This signal word is used to indicate a potentially hazardous situation which, if not avoided, could result in product or property damage.
NOTICE!	This signal word indicates additional useful tips and information.

1.5 Intended use

⚠ WARNING! Risk of injury!

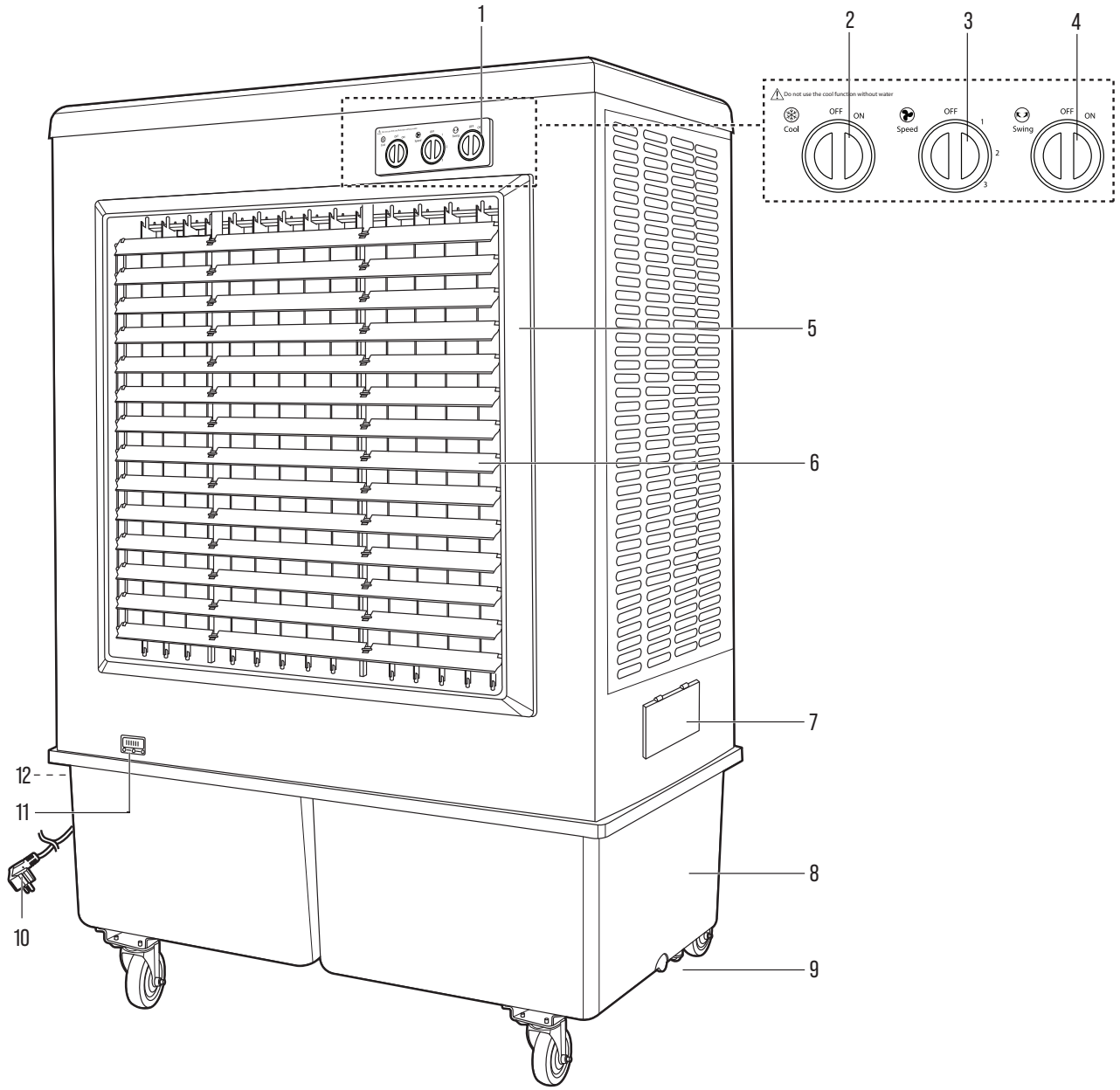
» Do not use the appliance for any purpose other than its intended use, as described in this manual. Other use is considered unauthorised.

- The appliance is specifically designed for cooling indoor air through evaporative cooling.
- This appliance is intended for use in domestic and DIY environments only.
- The appliance is suitable for use in indoor locations only.



No.	Part name
1	Control panel
2	Cool control knob
3	Speed control knob
4	Swing control knob
5	Air outlet
6	Louvre
7	Water inlet

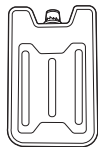
No.	Part name
8	Water tank
9	Drain (not shown)
10	Water level indicator
11	Automatic water filling inlet (not shown)
12	Power cord
13	Ice box compartment



No.	Part name
1	Control panel
2	Cool control knob
3	Speed control knob
4	Swing control knob
5	Air outlet
6	Louvre

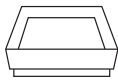
No.	Part name
7	Water inlet
8	Water tank
9	Drain
10	Power cord
11	Water level indicator
12	Automatic water filling inlet (not shown)

2.3 Supplied accessories



6 x ice box (H136180 only)

2.4 Required tools



Container



Water supply hose (13 mm)

2.5 Specifications

Model number	H136180	H136181
Rated voltage	220-240 V~ 50-60 Hz	220-240 V~ 50-60 Hz
Rated input	750 W	900 W
Protection class	Class I	Class I
Degree of protection (IP)	IPX0	IPX0

NOTICE!

» The specifications and constructions outlined in this manual were accurate at the time of publication. There is a possibility of changes being made to the specifications and constructions without prior notice or obligations due to continuous improvements.

Model number: H136180		
Description	Value	Unit
Optimum overall efficiency	10.0	%
Efficiency grade at optimum efficiency point	18	N
Flow rate at optimum efficiency point	3500.7	m ³ /h
Pressure at optimum efficiency point	51.0	Pa
Measured electric power input at optimum efficiency point	0.496	kW
Rotations per minute at optimum efficiency point	902.4	Rpm
Specific ratio	1	
Measurement category	Category A: free inlet/free outlet	
Efficiency category	Static	
The calculation of fan efficiency assumed use of a VSD	No	
The VSD is integrated within the fan or the VSD must be installed with the fan	No VSD	
Year of manufacture	2025	
Measurement standard	ISO 12759:2010	
Contact details for obtaining more information	HBM Machines B.V., Louis Dobbelmanweg 12, 2742 JZ, Waddinxveen, The Netherlands	

Model number: H136181		
Description	Value	Unit
Optimum overall efficiency	14.0	%
Efficiency grade at optimum efficiency point	21	N
Flow rate at optimum efficiency point	5851.8	m ³ /h
Pressure at optimum efficiency point	61.0	Pa
Measured electric power input at optimum efficiency point	0.710	kW
Rotations per minute at optimum efficiency point	888.4	Rpm
Specific ratio	1	
Measurement category	Category A: free inlet/free outlet	
Efficiency category	Static	
The calculation of fan efficiency assumed use of a VSD	No	
The VSD is integrated within the fan or the VSD must be installed with the fan	No VSD	
Year of manufacture	2025	
Measurement standard	ISO 12759:2010	
Contact details for obtaining more information	HBM Machines B.V., Louis Dobbelmanweg 12, 2742 JZ, Waddinxveen, The Netherlands	

3. Before first use

3.1 Unpacking

⚠ WARNING! Risk of suffocation!

» Keep packaging materials away from children and pets to avoid suffocation risks.

NOTICE!

» Carefully inspect the packaging for any visible signs of damage, such as dents, punctures or tears. Promptly contact our customer service team regarding any significant issues. Make sure that the delivery content is complete and undamaged before using the appliance.

- Carefully open the box and remove all packing materials, such as bubble wrap or foam inserts. Dispose and recycle the packing materials responsibly.
- Thoroughly inspect the appliance for any visible damages, scratches or defects. Verify that all expected parts and accessories are present and report any damage or missing components to our customer service team.

4. Operation/Use

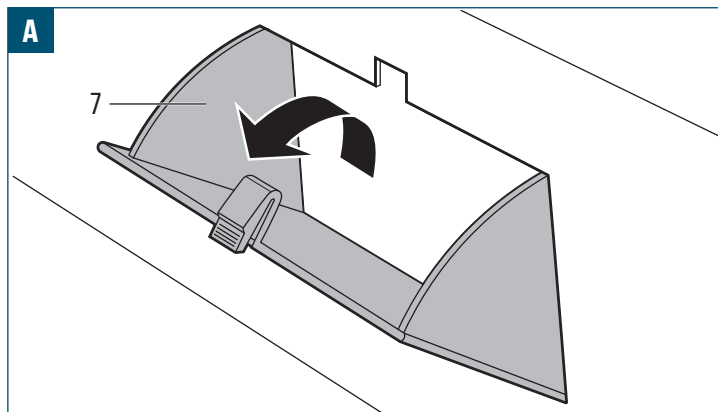
4.1 Filling the water tank

NOTICE!

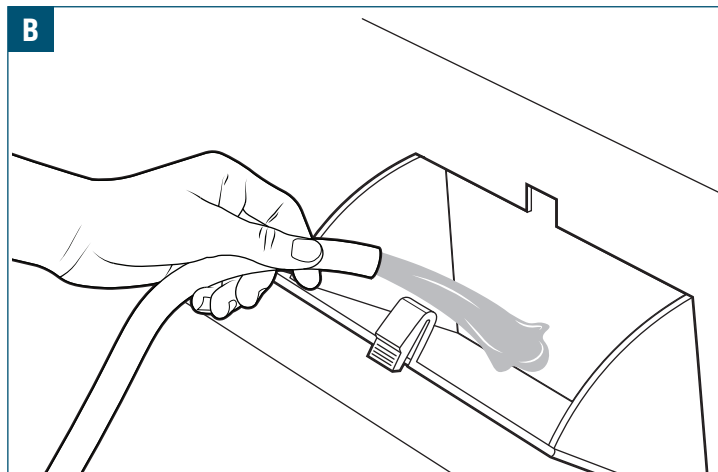
» The water tank (8) can be filled 2 ways, depending on the user's preference.

4.1.1 Manual water filling

1. Open the water inlet (7) (Fig. A).



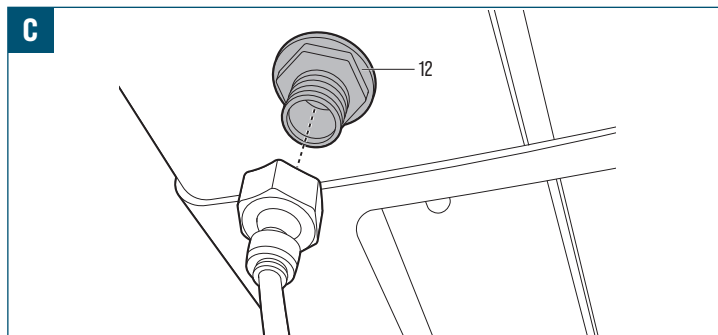
2. Fill the water tank (8) with clean water (Fig. B).



3. Monitor the water level indicator (10)/(11) and keep the water below the highest level.

4.1.2 Automatic water filling

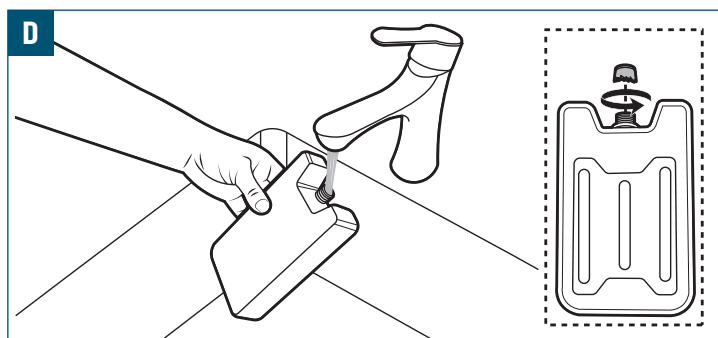
1. Connect the appropriate water supply hose (Ø13 mm) to the automatic water filling inlet (11)/(12) (Fig. C).



2. Once the appropriate water level has been reached, the float valve automatically activates and stops the water supply.

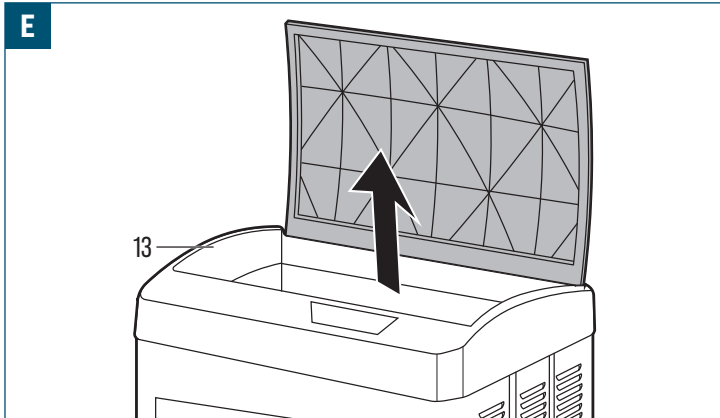
4.2 Using the ice box (H136180 only)

1. Open the ice box cap and fill it with water (Fig. D). Only fill the ice box about 80% full.

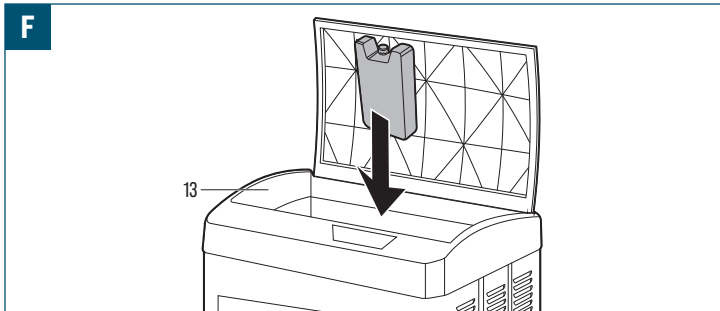


2. Set aside the ice box for 30 to 40 minutes until the water and the ice crystals mix completely.

- Put the ice box in the freezer for at least 2 hours.
- Open the ice box compartment (13) lid (Fig. E).

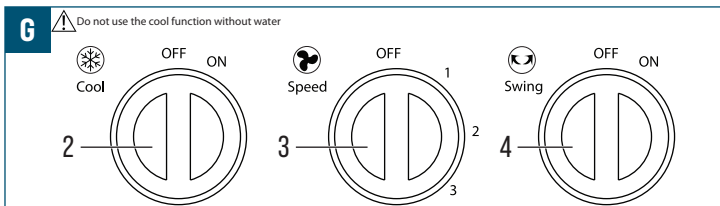


- Place the frozen ice box into the ice box compartment (13) (Fig. F).



- Re-freeze the ice box when it becomes soft.

4.3 Control panel



- Cool** control knob [2] - Switches the evaporative cooling system on or off. When set to **ON**, the pump circulates water through the wet curtain to produce cooled airflow. The **Cooling** function must not be used when the water tank is empty.
- Speed** control knob [3] - Adjusts the airflow rate. Three fan speeds are available: 1 for quiet operation, 2 for standard cooling and 3 for maximum airflow.
- Swing** control knob [4] - Switches the horizontal oscillation of the louvre on or off. When activated, the louvre moves side to side to distribute airflow across a wider area.

4.4 Operating the appliance

NOTICE!

» Do not use the **Cool** function when the water tank [8] is empty.

- Place the appliance on a stable, level surface with adequate space for airflow around the air outlet [5] and the side panels.
- Fill the water tank [8] manually or connect the automatic water filling system as described in chapter 4.1. **Filling the water tank.**
- Connect the power plug to a properly grounded electrical outlet.
- Select the desired fan speed using the **Speed** control knob [3].
- Turn the **Cool** control knob [2] to **ON** to activate the evaporative cooling system.
- Turn the **Swing** control knob [4] to **ON** if oscillation of the louvre [6] is desired.
- Monitor the water level regularly during operation and refill the water tank as needed.
- After use, switch **OFF** all control knobs and disconnect the power plug if the appliance will not be operated again soon.

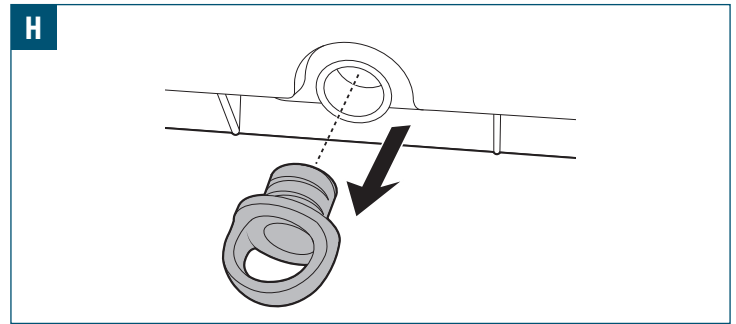
4.5 Draining the water tank

NOTICE!

» Drain the water tank regularly, before long-term storage and when cleaning is required.

- Place a container right below the drain [9].

- Remove the drain plug (Fig. H). The waste water drains from the drain hole.



- Tilt the appliance slightly to empty all remaining water.
- Reattach the drain plug securely before refilling.

5. Cleaning and care

⚠ WARNING! Risk of electric shock!

» Always switch off the appliance and disconnect it from the power source before any cleaning. This is to reduce the risk of electric shock during cleaning.

5.1 Cleaning

CAUTION! Risk of damage!

» Avoid using harsh or abrasive cleaners, solvents, scouring pads or scrubbers that can damage the surfaces, remove protective coatings or cause corrosion when cleaning the appliance.

- Wipe down the appliance using a slightly damp cloth.
- Keep the air outlet [5] and louvre [6] free from dust build-up to maintain proper airflow.
- Clean the water tank [8] regularly to prevent scale formation. Empty the water tank [8], wipe the inside with a soft cloth and refill with clean water.
- Do not use a hose or high-pressure water on the appliance.

5.2 Storage

NOTICE!

» Thoroughly clean the appliance, remove dirt, debris and any residual substances. Make sure all parts are dry to prevent corrosion or damage during storage.

» Store the appliance in a clean, dry and well-ventilated area. Avoid storing the appliance in areas that are damp, humid, excessively hot or exposed to direct sunlight.

» Make sure the appliance is stored in a secure location, away from unauthorised access to children and pets.

- Wrap the supply cord neatly and avoid sharp bends or kinks that could lead to wire breakage or electrical hazards.
- Place the appliance on a flat, stable surface.
- Cover the appliance with suitable covers to protect it from dust and debris.
- Periodically check on the stored appliance to ensure it remains in good condition. Inspect for any signs of damage, corrosion or pests. Address any issues promptly to prevent further damage or deterioration.

5.3 Transportation

- Use appropriate straps, tie-downs or braces to hold the appliance in place and avoid damaging it or the vehicle.
- Distribute the weight evenly when loading the appliance onto a vehicle or trailer.

6. Maintenance

⚠ WARNING! Risk of electric shock!

» Always switch off the appliance and disconnect it from the power source before maintenance. This is to reduce the risk of electric shock during maintenance.

- Keep the air inlet and air outlet free of dust and obstruction.
- Check the drain outlet and drain hose to ensure water flows freely during draining.
- Keep the appliance upright when moving or storing to prevent internal damage.
- Do not open the sealed refrigeration circuit.

7. Troubleshooting

Follow the instructions provided in this chapter to identify issues and potential solutions. If the issue cannot be resolved independently, it is recommended to seek assistance from an authorised service centre or a qualified specialist for further inspection, maintenance and repair work. Alternatively, contact our customer service team for further assistance.

Symptom	Possible cause	Possible solution
The airflow is weak.	<ul style="list-style-type: none"> Dust has accumulated on the air outlet (5) or the louvre (6). 	<ul style="list-style-type: none"> Clean the air outlet (5) and louvre (6) to restore normal airflow.
No airflow comes out of the appliance.	<ul style="list-style-type: none"> The control panel (1) is not functioning correctly. 	<ul style="list-style-type: none"> Have the control panel (1) inspected or replaced by qualified personnel.
Water is leaking from the appliance.	<ul style="list-style-type: none"> The drain plug is not sealed correctly. The water tank (8) is overfilled. 	<ul style="list-style-type: none"> Adjust or secure the drain plug to prevent leakage. Reduce the water level in the water tank (8).
The cooling performance is low.	<ul style="list-style-type: none"> The water tank (8) does not contain enough water. 	<ul style="list-style-type: none"> Refill the water tank (8) and activate the Cool control knob (2).
The appliance vibrates or makes abnormal noise.	<ul style="list-style-type: none"> The appliance is placed on an uneven surface. The fan blade or louvre (6) is loose. 	<ul style="list-style-type: none"> Move the appliance to a stable and level surface. Have the appliance inspected or serviced by qualified personnel.

8. Disposal

8.1 Product disposal



The Waste Electrical and Electronic Equipment (WEEE) directive aims to minimise the impact of electrical and electronic goods on the environment and human health, by increasing re-use and recycling and by reducing the amount of electrical and electronic waste going to landfills. The symbol on this product and its packaging signifies that this product must be disposed separately from ordinary household waste at the end of its life. Be aware that this is the responsibility of the owner to dispose of electrical and electronic waste at recycling centres in order to conserve natural resources. Each country has its collection centres for electrical and electronic waste. For information about recycling drop off areas, contact the local electrical and electronic equipment waste management authority, the local city office or the household waste disposal service.

8.2 Packaging/packing materials disposal

Sorting and disposing of packaging materials correctly is essential for environmentally friendly waste management. The packaging is designed to protect the product during transit and is made of materials that can be recycled.

- Dispose of cardboard and paperboard packaging by submitting them to the recycled paper service or waste paper collection. Check with local recycling facilities for specific guidelines on recycling cardboard and paperboard.
- Dispose of wrapping materials, inserts, straps and other plastic packaging by checking with local recycling facilities for specific guidelines on recycling or waste disposal methods. Follow their instructions to ensure proper disposal and promote environmental sustainability.

9. Warranty

HBM Machines stands behind the quality and craftsmanship of our products. This warranty is applicable to all products purchased directly from our company or authorised retailers.

Limited Warranty:

Our products are covered by a limited warranty against defects in materials and workmanship for **2 years**. During the warranty period, if a product is found to be a manufacturing defect, we will, at our discretion, repair or replace the defective product or provide a refund equal to the purchase price.

Exclusions:

This warranty does not cover damages resulting from misuse, abuse, negligence, improper installation, accidents, normal wear and tear, acts of nature or unauthorised modifications or repairs. Additionally, this warranty does not cover damages or defects arising from non-compliance with our product instructions, specifications or recommended usage guidelines.

Claim Process:

To initiate a warranty claim, the original proof of purchase, such as a receipt or order number, will be required.

To determine if a product qualifies for warranty coverage, we may request additional information or evidence of the defect, such as photos or a return of the product. Contact our customer service team directly to discuss and initiate a warranty claim. Details on how to contact us can be found on our website or included with the product documentation.

Other Terms and Conditions:

- This warranty is non-transferable and only applies to the original purchaser.
- We reserve the right to amend or modify this warranty at any time without prior notice. The warranty in effect at the time of purchase will apply.
- This warranty grants specific legal rights and you may also have other rights that vary based on local laws or regulations.

Please refer to our website or contact our customer service team for additional information or inquiries regarding our warranty coverage.

10. Customer service

Do you have a question, comment or complaint? Our customer service team is available on working days from 9:00 AM to 5:30 PM. Whether you need assistance with use, maintenance, troubleshooting, replacement parts or safety procedures, we are dedicated to providing the support you need.

To reach our customer service team, please send an email to info@hbm-machines.com

When contacting our customer service team, please provide the product's model number, serial number and a detailed description of the issue or fault you are experiencing, including specific details such as error codes, abnormal sounds or other relevant circumstances will help us diagnose and resolve the issue more effectively.

Inhoudsopgave

1. Belangrijke veiligheidsinstructies	11
1.1 Algemene veiligheidsinstructies	11
1.2 Extra veiligheidsvoorschriften	11
1.3 Uitleg van de symbolen	11
1.4 Uitleg over signaalwoorden	11
1.5 Beoogd gebruik	11
2. Overzicht	12
2.1 H136180	12
2.2 H136181	13
2.3 Meegeleverde accessoires	13
2.4 Benodigd gereedschap	13
2.5 Specificaties	13
3. Voor het eerste gebruik	14
3.1 Uitpakken	14
4. Bediening/Gebruik	14
4.1 Het waterreservoir vullen	14
4.2 Het koelelement gebruiken (alleen H136180)	15
4.3 Bedieningspaneel	15
4.4 Het apparaat bedienen	15
4.5 Het waterreservoir leegmaken	15
5. Reiniging en onderhoud	15
5.1 Reiniging	15
5.2 Opslag	16
5.3 Transport	16
6. Onderhoud	16
7. Probleemoplossing	16
8. Verwijdering	16
8.1 Verwijdering van het product	16
8.2 Verwijdering van verpakking/verpakkingsmaterialen	16
9. Garantie	17
10. Klantenservice	17

1. Belangrijke veiligheidsinstructies

⚠ WAARSCHUWING! Lees en begrijp deze handleiding grondig voordat u het apparaat installeert en gebruikt.

- » Lees, volg en begrijp deze handleiding om het apparaat veilig en efficiënt te gebruiken. Het negeren van deze instructies kan leiden tot ernstig letsel of schade.
- » De eigenaar van dit apparaat is verantwoordelijk voor het veilig gebruik ervan. Dit omvat het uitvoeren van regelmatige inspecties en onderhoud, het begrijpen van de handleiding en het volgen van de verstrekte instructies voor een veilig gebruik.
- » Bewaar deze handleiding voor toekomstig gebruik. Doe bij overdracht van dit apparaat aan derden deze handleiding erbij.
- » De fabrikant is niet aansprakelijk voor enig letsel of materiële schade als gevolg van nalatigheid, aanpassingen of verkeerd gebruik.

⚠ WAARSCHUWING! Risico op letsel door gebrek aan kennis van het gebruik en de veiligheidsinstructies van het apparaat.

- » Geen enkele lijst met veiligheidsrichtlijnen kan compleet zijn. Elke omgeving is anders. Ongelukken worden vaak veroorzaakt door een gebrek aan vertrouwdheid of afleiding.
- » Gebruik dit apparaat zorgvuldig en met de nodige voorzichtigheid om het risico op letsel te beperken. Als de normale veiligheidsmaatregelen over het hoofd worden gezien of worden genegeerd, kan er ernstig letsel optreden.

1.1 Algemene veiligheidsinstructies

- Dit apparaat kan worden gebruikt door kinderen vanaf 8 jaar en personen met beperkte fysieke, visuele of mentale mogelijkheden, of die een gebrek aan ervaring en kennis hebben, indien ze gepaste instructies hebben gekregen zodat ze het apparaat op een veilige manier kunnen gebruiken en op de hoogte zijn van de gevaren die het gebruik van het apparaat met zich meebrengt. Kinderen mogen niet met het apparaat spelen. Kinderen mogen het apparaat niet zonder toezicht reinigen of onderhouden.
- Laat het netsnoer vervangen door de fabrikant, reparateur of gelijksoortig bevoegd persoon als het is beschadigd, om elk risico te voorkomen.
- Let op, een hoge vochtigheid kan de aangroei van biologische organismen in de omgeving bevorderen
- Sta niet toe dat de ruimte rondom de luchtbevochtiger vochtig of nat wordt. Als er vochtigheid optreedt, verlaag het vermogen van de luchtbevochtiger. Als het vermogen van de luchtbevochtiger niet kan worden verlaagd, gebruik de luchtbevochtiger met tussenpozen. Zorg dat er geen absorberende materialen, zoals tapijten, gordijnen of tafelkleden, vochtig worden.
- Sta niet toe dat de ruimte rondom het apparaat vochtig of nat wordt. Als er vochtigheid optreedt, verlaag het vermogen van het apparaat. Als het vermogen van het apparaat niet kan worden verlaagd, gebruik het apparaat met tussenpozen. Zorg dat er geen absorberende materialen, zoals tapijten, gordijnen of tafelkleden, vochtig worden.
- Trek de stekker uit het stopcontact tijdens het vullen en reinigen van het apparaat.
- Laat nooit water in de watertank achter wanneer het apparaat niet wordt gebruikt.
- Maak de luchtbevochtiger leeg en reinig deze voor opslag. Reinig de luchtbevochtiger voor het volgende gebruik.

1.2 Extra veiligheidsvoorschriften

- Gebruik nooit een beschadigd apparaat of een apparaat dat is gevallen! Haal in dat geval de stekker van het apparaat uit het stopcontact. Neem vervolgens contact op met de klantenservice van de dealer om het apparaat te laten controleren of repareren.
- Haal nooit een elektrisch apparaat uit het water als het erin is gevallen. Trek in dat geval onmiddellijk de stekker uit het stopcontact.
- Om beschadiging van het netsnoer te voorkomen, knel het niet af, buig het niet en sleep het niet over scherpe randen.
- Houd het netsnoer en het apparaat uit de buurt van hete oppervlakken en open vuur.
- Gebruik nooit accessoires die niet in deze handleiding worden aanbevolen. Ze kunnen een veiligheidsrisico voor de gebruiker opleveren en het apparaat beschadigen. Gebruik uitsluitend originele onderdelen en accessoires.
- Verwijder na gebruik alle accessoires of opzetstukken.
- Steek geen voorwerpen in de behuizing van het apparaat.

1.3 Uitleg van de symbolen

De volgende symbolen worden in deze handleiding, op het apparaat en/of de verpakking gebruikt.



Dit symbool is de afkorting van "Conformité Européenne" wat "Conformiteit met de EU-richtlijnen, voorschriften en geldende normen" betekent. Met de CE-markering bevestigt de fabrikant dat dit product in overeenstemming is met de geldende Europese richtlijnen en voorschriften.



Raadpleeg en lees de handleiding.



Haal de stekker uit het stopcontact.



Dit product is geclassificeerd als beschermingsklasse I en moet op een geïsoleerd stopcontact worden aangesloten.



Nominale spanning en vermogen.

1.4 Uitleg over signaalwoorden

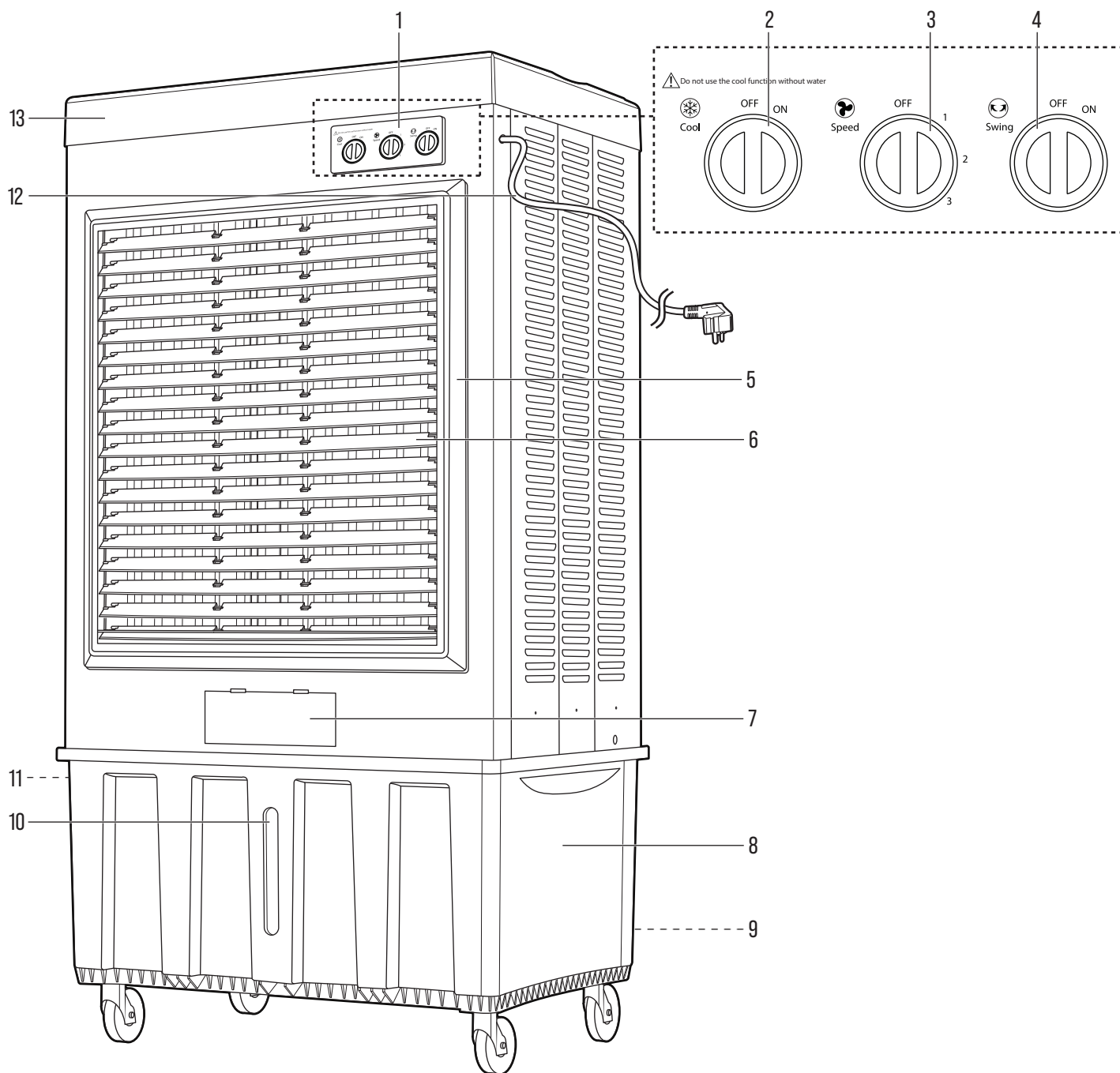
De volgende signaalwoorden worden in deze handleiding, op het apparaat en/of de verpakking gebruikt.

⚠ GEVAAR!	Dit signaalwoord wordt gebruikt om een directe gevaarlijke situatie aan te geven die, indien niet vermeden, overlijden of ernstig letsel veroorzaakt.
⚠ WAARSCHUWING!	Dit signaalwoord wordt gebruikt om een mogelijke gevaarlijke situatie aan te geven die, indien niet vermeden, overlijden of ernstig letsel kan veroorzaken.
⚠ VOORZICHTIG!	Dit signaalwoord wordt gebruikt om een mogelijke gevaarlijke situatie aan te geven die, indien niet vermeden, licht of matig letsel kan veroorzaken.
VOORZICHTIG!	Dit signaalwoord wordt gebruikt om een mogelijke gevaarlijke situatie aan te geven die, indien niet vermeden, schade aan het product of eigendommen kan veroorzaken.
OPMERKING!	Dit signaalwoord geeft extra nuttige tips en informatie aan.

1.5 Beoogd gebruik

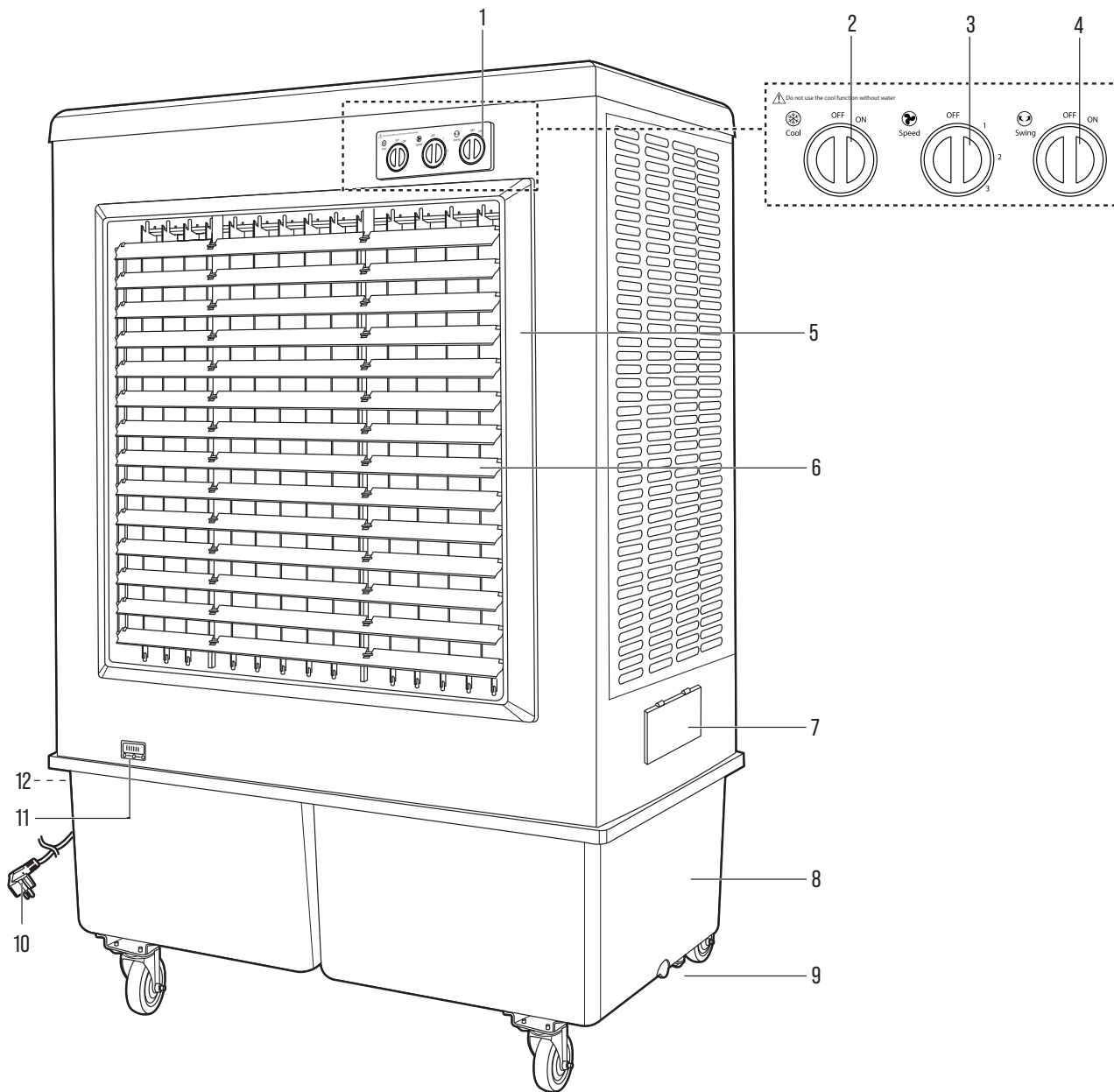
⚠ WAARSCHUWING! Gevaar voor letsel!

- » Gebruik het apparaat niet voor andere doeleinden dan waarvoor het is bedoeld, zoals beschreven in deze handleiding. Elk ander gebruik wordt als ongeautoriseerd beschouwd.
- Het apparaat is specifiek ontworpen voor het koelen van binnenlucht door middel van verdampingskoeling.
- Dit apparaat is uitsluitend bedoeld voor gebruik in huiselijke omgevingen en doe-het-zelf-toepassingen.
- Het apparaat is uitsluitend geschikt voor gebruik binnenshuis.



Nr.	Onderdeelnaam
1	Bedieningspaneel
2	Cool (Koelen)-regelknop
3	Speed (Snelheid)-regelknop
4	Swing (Oscillatie)-regelknop
5	Luchtuitlaat
6	Lamellen
7	Waterinlaat

Nr.	Onderdeelnaam
8	Waterreservoir
9	Afvoer (niet afgebeeld)
10	Waterniveau-indicator
11	Automatische waterinlaat (niet afgebeeld)
12	Netsnoer
13	Koelelementenvak



Nr.	Onderdeelnaam
1	Bedieningspaneel
2	Cool (Koelen)-regelknop
3	Speed (Snelheid)-regelknop
4	Swing (Oscillatie)-regelknop
5	Luchtuitlaat
6	Lamellen

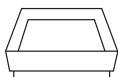
Nr.	Onderdeelnaam
7	Waterinlaat
8	Waterreservoir
9	Afvoer
10	Netsnoer
11	Waterniveau-indicator
12	Automatische waterinlaat (niet afgebeeld)

2.3 Meegeleverde accessoires



6 x koelelement (alleen H136180)

2.4 Benodigd gereedschap



Opvangbak



Watertoevoerslang (13 mm)

2.5 Specificaties

Modelnummer	H136180	H136181
Nominale spanning	220-240 V~, 50-60 Hz	220-240 V~, 50-60 Hz
Nominale invoer	750 W	900 W
Beschermingsklasse	Klasse I	Klasse I
Beschermingsgraad (IP)	IPX0	IPX0

OPMERKING!

» De specificaties en constructies die in deze handleiding worden beschreven, waren accuraat op het moment van publicatie. Er bestaat een mogelijkheid dat de specificaties en constructies zonder voorafgaande kennisgeving of verplichtingen worden gewijzigd door continue verbeteringen.

Modelnummer: H136180		
Beschrijving	Waarde	Eenheid
Algemene efficiëntie	10,0	%
Efficiëntiegraad bij het optimale energie-efficiëntiepunt	18	N
Massastroom bij optimale energie-efficiëntie	3500,7	m ³ /h
Druk bij optimale energie-efficiëntie	51,0	Pa
Elektrisch ingangsvermogen bij het optimale energie-efficiëntiepunt	0,496	kW
Omwentelingen per minuut bij het optimale energie-efficiëntiepunt	902,4	tpm
Specifieke verhouding	1	
Meetcategorie	Meetcategorie A: vrije inlaat en uitlaat	
Efficiëntiecategorie	Statisch	
Of bij de berekening van de ventilatorefficiëntie is uitgegaan van het gebruik van een snelheidsvariator	Nee	
Of de snelheidsvariator is geïntegreerd in de ventilator of samen met de ventilator moet worden geïnstalleerd	Geen snelheidsvariator	
Fabricagejaar	2025	
Meetnorm	ISO 12759:2010	
Contactgegevens voor het verkrijgen van meer informatie	HBM Machines B.V., Louis Dobbelmanweg 12, 2742 JZ, Waddinxveen, Nederland	

Modelnummer: H136181		
Beschrijving	Waarde	Eenheid
Algemene efficiëntie	14,0	%
Efficiëntiegraad bij het optimale energie-efficiëntiepunt	21	N
Massastroom bij optimale energie-efficiëntie	5851,8	m ³ /h
Druk bij optimale energie-efficiëntie	61,0	Pa
Elektrisch ingangsvermogen bij het optimale energie-efficiëntiepunt	0,710	kW
Omwentelingen per minuut bij het optimale energie-efficiëntiepunt	888,4	tpm
Specifieke verhouding	1	
Meetcategorie	Meetcategorie A: vrije inlaat en uitlaat	
Efficiëntiecategorie	Statisch	
Of bij de berekening van de ventilatorefficiëntie is uitgegaan van het gebruik van een snelheidsvariator	Nee	
Of de snelheidsvariator is geïntegreerd in de ventilator of samen met de ventilator moet worden geïnstalleerd	Geen snelheidsvariator	
Fabricagejaar	2025	
Meetnorm	ISO 12759:2010	
Contactgegevens voor het verkrijgen van meer informatie	HBM Machines B.V., Louis Dobbelmanweg 12, 2742 JZ, Waddinxveen, Nederland	

3. Voor het eerste gebruik

3.1 Uitpakken

⚠ WAARSCHUWING! Verstikkingsgevaar!

» Houd het verpakkingsmateriaal uit de buurt van kinderen en huisdieren om verstikkingsgevaar te voorkomen.

OPMERKING!

» Inspecteer de verpakking zorgvuldig op zichtbare tekenen van schade, zoals deuken, gaatjes of scheuren. Neem bij significante problemen direct contact op met onze klantenservice. Zorg ervoor dat de inhoud van de levering compleet en onbeschadigd is voordat u het apparaat gebruikt.

- Open de doos zorgvuldig en verwijder alle verpakkingsmaterialen, zoals noppenfolie of schuiminserts. Gooi het verpakkingsmateriaal op een verantwoorde wijze weg en recycle het.
- Inspecteer het apparaat grondig op zichtbare schade, krassen of defecten. Controleer of alle verwachte onderdelen en accessoires aanwezig zijn en meld eventuele beschadigingen of ontbrekende componenten bij onze klantenservice.

4. Bediening/Gebruik

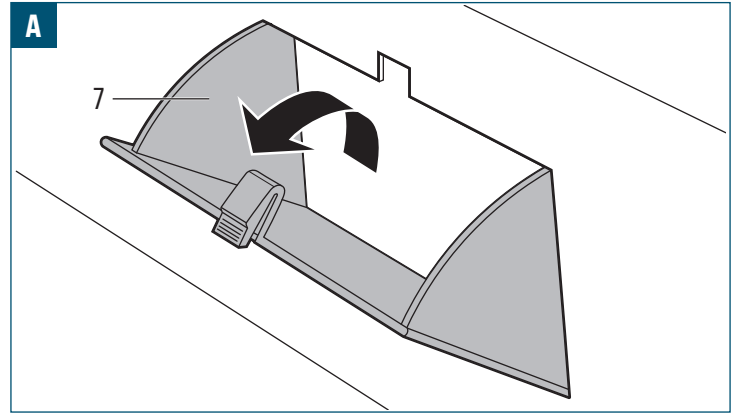
4.1 Het waterreservoir vullen

OPMERKING!

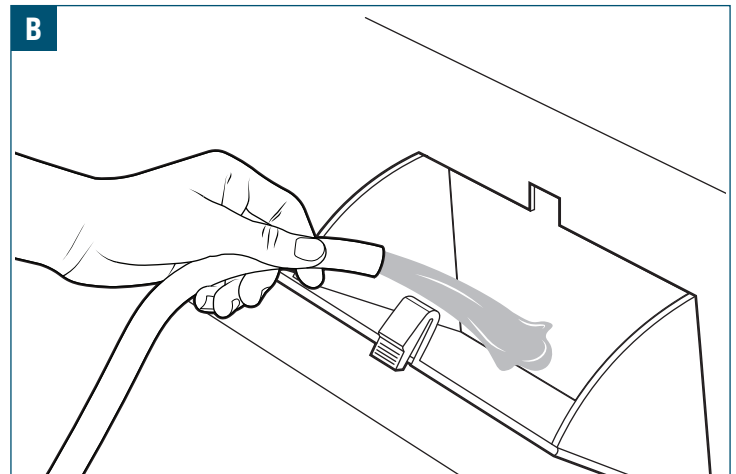
» Het waterreservoir (8) kan op 2 manieren worden gevuld, afhankelijk van de voorkeur van de gebruiker.

4.1.1 Handmatig vullen met water

1. Open de waterinlaat (7) (Afb. A).



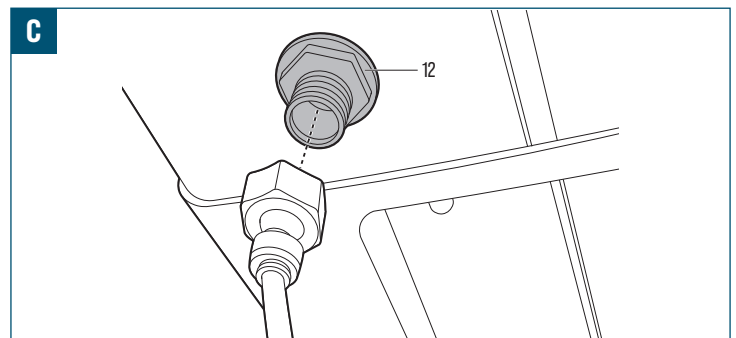
2. Vul het waterreservoir (8) met schoon water (Afb. B).



3. Controleer de waterniveau-indicator (10)/(11) en houd het water onder het maximale niveau.

4.1.2 Automatisch vullen met water

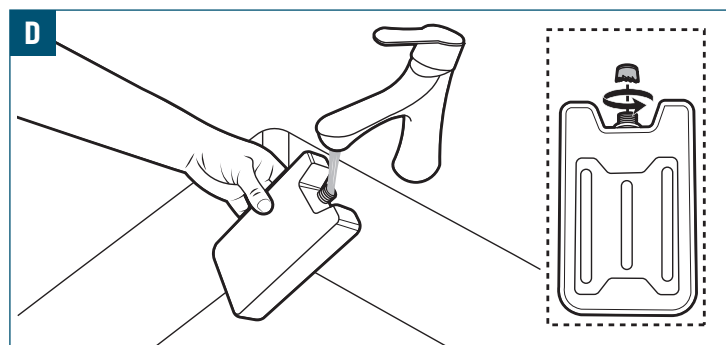
1. Sluit de juiste watertoevoerslang (Ø13 mm) aan op de automatische waterinlaat (11)/(12) (Afb. C).



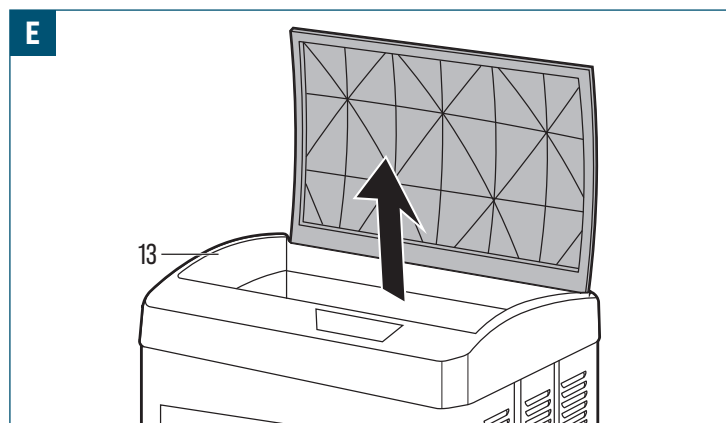
2. Zodra het juiste waterniveau is bereikt, wordt het vlotterventiel automatisch geactiveerd en stopt de watertoevoer.

4.2 Het koelelement gebruiken (alleen H136180)

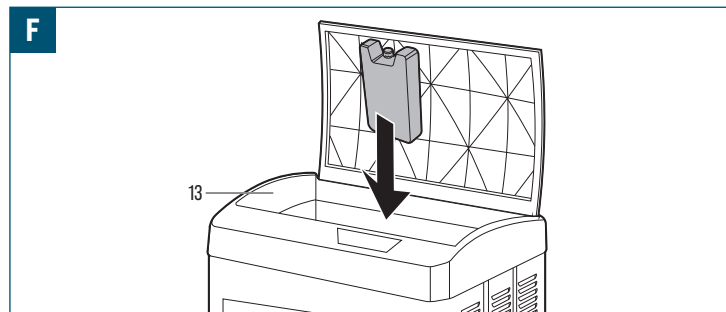
1. Open de dop van het koelelement en vul het met water (Afb. D). Vul het koelelement slechts tot ongeveer 80 %.



2. Zet het koelelement 30 tot 40 minuten apart totdat het water en de ijskristallen volledig zijn gemengd.
3. Plaats het koelelement gedurende minimaal 2 uur in de vriezer.
4. Open het deksel van het koelelementvak (13) (Afb. E).

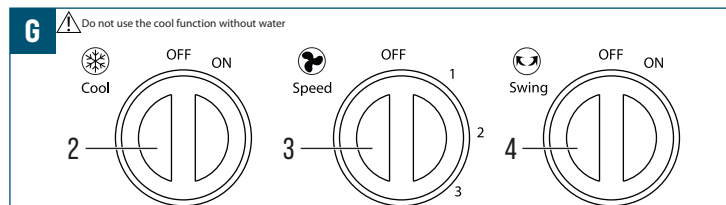


5. Plaats het bevroren koelelement in het koelelementvak (13) (Afb. F).



6. Vries het koelelement opnieuw in wanneer het zacht wordt.

4.3 Bedieningspaneel



- **Cool** (Koelen)-regelknop [2] - Schakelt het verdampingskoelsysteem in of uit. Wanneer deze op **ON** (AAN) staat, circuleert de pomp water door het natte koelpaneel om gekoelde lucht te produceren. De **Cooling** (Koelen)-functie mag niet worden gebruikt wanneer het waterreservoir leeg is.
- **Speed** (Snelheid)-regelknop [3] - Stelt de luchtstroomsnelheid in. Er zijn drie ventilatorsnelheden beschikbaar: 1 voor stille werking, 2 voor standaardkoeling en 3 voor maximale luchtstroom.
- **Swing** (Oscillatie)-regelknop [4] - Schakelt de horizontale oscillatie van de lamellen in of uit. Wanneer deze functie is geactiveerd, bewegen de lamellen van links naar rechts om de luchtstroom over een groter gebied te verdelen.

4.4 Het apparaat bedienen

OPMERKING!

» Gebruik de **Cool** (Koelen)-functie niet wanneer het waterreservoir (8) leeg is.

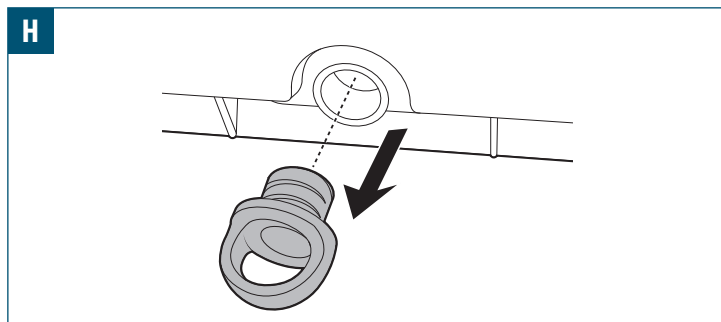
1. Plaats het apparaat op een stabiel, vlak oppervlak met voldoende ruimte voor luchtcirculatie rondom de luchtuitlaat (5) en de zijpanelen.
2. Vul het waterreservoir (8) handmatig of sluit het automatische watervulstelsel aan zoals beschreven in hoofdstuk 4.1. **Het waterreservoir vullen.**
3. Steek de stekker een correct geaard stopcontact.
4. Selecteer de gewenste ventilatorsnelheid met behulp van de **Speed** (Snelheid)-regelknop [3].
5. Draai de **Cool** (Koelen)-regelknop [2] naar **ON** (AAN) om het verdampingskoelsysteem te activeren.
6. Draai de **Swing** (Oscillatie)-regelknop [4] naar **ON** (AAN) als oscillatie van de lamellen (6) gewenst is.
7. Controleer tijdens gebruik regelmatig het waterniveau en vul het waterreservoir indien nodig bij.
8. Stel na gebruik alle regelknoppen in op **OFF** (UIT) en trek de stekker uit het stopcontact als het apparaat niet binnenkort opnieuw wordt gebruikt.

4.5 Het waterreservoir leegmaken

OPMERKING!

» Maak het waterreservoir regelmatig leeg, voor langdurige opslag en wanneer reiniging vereist is.

1. Plaats een opvangbak direct onder de afvoer (9).
2. Verwijder de aftapplug (Afb. H). Het afvalwater loopt via de afvoeropening weg.



3. Kantel het apparaat lichtjes om al het resterende water te verwijderen.
4. Bevestig de aftapplug stevig voordat u het reservoir opnieuw vult.

5. Reiniging en onderhoud

⚠ WAARSCHUWING! Risico op elektrische schok!

» Schakel het apparaat altijd uit en ontkoppel die van de voedingsbron voordat u begint met schoonmaken. Dit is om het risico op een elektrische schok tijdens het reinigen te beperken.

5.1 Reiniging

VOORZICHTIG! Risico op schade!

» Vermijd het gebruik van agressieve of schurende reinigingsmiddelen, oplosmiddelen, schuursponsjes of -borstels die de oppervlakken kunnen beschadigen, beschermende coatings kunnen verwijderen of corrosie kunnen veroorzaken bij het schoonmaken van het apparaat.

- Veeg het apparaat schoon met een licht bevochtigde doek.
- Houd de luchtuitlaat (5) en de lamellen (6) vrij van stofophoping om een goede luchtstroom te behouden.
- Reinig het waterreservoir (8) regelmatig om kalkaanslag te voorkomen. Leeg het waterreservoir (8), veeg de binnenzijde schoon met een zachte doek en vul het opnieuw met schoon water.
- Gebruik geen slang of hogedrukwater op het apparaat.

OPMERKING!

- » Reinig het apparaat grondig, verwijder vuil, puin en eventuele resterende stoffen. Zorg ervoor dat alle onderdelen droog zijn om corrosie of schade tijdens opslag te voorkomen.
- » Berg het apparaat op in een schone, droge en goede eventileerde ruimte. Berg het apparaat niet op in een vochtige, natte, extreem hete omgeving of in direct zonlicht.
- » Zorg ervoor dat het apparaat op een veilige plaats wordt opgeborgen, buiten het bereik van kinderen en huisdieren.

- Wikkel het netsnoer netjes op en vermijd scherpe bochten of knikken die tot breuk van het netsnoer of elektrische gevaren kunnen leiden.
- Plaats het apparaat op een vlakke en stabiele ondergrond.
- Dek het apparaat af met geschikte hoezen om het tegen stof en vuil te beschermen.
- Controleer het opgeborgen apparaat regelmatig om ervoor te zorgen dat die in goede staat blijft. Controleer die op tekenen van schade, corrosie of ongedierte. Pak eventuele problemen snel aan om verdere schade of aantasting te voorkomen.

5.3 Transport

- Gebruik geschikte riemen, sjobanden of beugels om het apparaat op zijn plaats te houden en beschadiging van het apparaat of het voertuig te voorkomen.
- Verdeel het gewicht gelijkmatig bij het laden van het apparaat op een voertuig of aanhangwagen.

6. Onderhoud**⚠ WAARSCHUWING! Risico op elektrische schok!**

- » Schakel het apparaat altijd uit en ontkoppel het van de voedingsbron voordat u onderhoud uitvoert. Dit is om het risico op een elektrische schok tijdens onderhoud te beperken.

- Houd de luchtinlaat en de luchtuitlaat vrij van stof en blokkeringen.
- Controleer de afvoeropening en de afvoerslang om te zorgen dat het water tijdens het aftappen vrij kan wegstromen.
- Houd het apparaat rechtop tijdens verplaatsen of opslaan om interne schade te voorkomen.
- Open het afgedichte koelcircuit niet.

7. Probleemoplossing

Volg de instructies in dit hoofdstuk om problemen en mogelijke oplossingen te identificeren. Als het probleem niet zelfstandig opgelost kan worden, wordt het aangeraden om hulp te zoeken bij een erkend servicecentrum of een gekwalificeerde specialist voor verdere inspectie, onderhoud en reparatiewerkzaamheden. Neem eventueel contact op met onze klantenservice voor verdere assistentie.

Probleem	Mogelijke oorzaak	Mogelijke oplossing
De luchtstroom is zwak.	• Er heeft zich stof opgehoopt op de luchtuitlaat (5) of de lamellen (6).	• Reinig de luchtuitlaat (5) en de lamel (6) om de normale luchtstroom te herstellen.
Er komt geen lucht uit het apparaat.	• Het bedieningspaneel (1) functioneert niet correct.	• Laat het bedieningspaneel (1) inspecteren of vervangen door gekwalificeerd personeel.
Er lekt water uit het apparaat.	• De aftapplug is niet correct afgedicht. • Het waterreservoir (8) is overvol.	• Stel de aftapplug correct af of bevestig deze stevig om lekkage te voorkomen. • Verlaag het waterniveau in het waterreservoir (8).
De koelprestaties zijn laag.	• Het waterreservoir (8) bevat onvoldoende water.	• Vul het waterreservoir (8) bij en activeer de Cool (Koelen)-regelknop (2).
Het apparaat trilt of maakt abnormaal geluid.	• Het apparaat staat op een oneffen oppervlak. • Het ventilatorblad of de lamellen (6) zitten los.	• Plaats het apparaat op een stabiele en vlakke ondergrond. • Laat het apparaat inspecteren of onderhouden door gekwalificeerd personeel.

8. Verwijdering**8.1 Verwijdering van het product**

De richtlijn inzake afgedankte elektrische en elektronische apparatuur (AEEA) heeft als doel het effect van elektrische en elektronische goederen op het milieu en de menselijke gezondheid tot een minimum te beperken door hergebruik en recycling te stimuleren en de hoeveelheid elektrische en elektronische afval die op de stortplaatsen terecht komt, te beperken. Het symbool op dit product en de verpakking geeft aan dat dit product aan het einde van zijn levensduur niet samen met het huisvuil mag worden weggegooid. Wees u ervan bewust dat het de verantwoordelijkheid van de eigenaar is om elektrische en elektronische afval naar recyclingcentra te brengen zodat de natuurlijke hulpbronnen bewaard worden. Elk land heeft zijn inzamelpunten voor elektrische en elektronische afval. Voor meer informatie over recyclingcentra, neem contact op met de lokale instantie voor elektrische en elektronische afval, het gemeentebestuur of de verwerkingsdienst voor huisvuil.

8.2 Verwijdering van verpakking/verpakkingsmaterialen

Het juist sorteren en verwijderen van verpakkingsmaterialen is essentieel voor een milieuvriendelijk afvalbeheer. De verpakking is ontworpen om het product tijdens transport te beschermen en is gemaakt van materialen die kunnen worden gerecycled.

- Voer kartonnen en papieren verpakkingen af door ze in te leveren bij een gepast inzamelpunt voor papier. Controleer bij uw lokaal recyclingcentrum op specifieke richtlijnen voor het recyclen van karton en papier.
- Voer verpakkingsmaterialen, inzetstukken, riemen en andere plastic verpakkingen af door bij uw lokaal recyclingcentrum te informeren naar specifieke richtlijnen voor de juiste recycling- of afvalverwijderingsmethode. Volg deze richtlijnen voor een juiste afvalverwijdering en bescherming van het milieu.

9. Garantie

HBM Machines staat achter de kwaliteit en vakmanschap van onze producten. Deze garantie is van toepassing op alle producten die direct bij ons bedrijf of een geautoriseerd verkooppunt zijn gekocht.

Beperkte garantie:

Onze producten worden gedurende **2 jaar** gedekt door een beperkte garantie tegen materiaal- en constructiefouten. Als er gedurende de garantieperiode een fabricagefout op het product wordt gevonden, zullen we het defect naar eigen goeddunken repareren of vervangen, of de aankoopprijs terugbetalen.

Uitsluitingen:

Deze garantie dekt geen schade veroorzaakt door misbruik, verkeerd gebruik, verzuim, foutieve installatie, ongelukken, normale slijtage, natuurrampen of ongeoorloofde aanpassingen of reparaties. Deze garantie dekt tevens geen schade of defecten door het niet naleven van onze productinstructies, specificaties of aanbevolen gebruiksrichtlijnen.

Claimprocedure:

Om een garantieclaim te kunnen initiëren is het originele aankoopbewijs, zoals een kassabon of een bestelnummer nodig.

Om te bepalen of een product door de garantie wordt gedekt, kunnen we extra informatie of bewijs van het defect vragen, zoals foto's of een retour van het product. Neem rechtstreeks contact op met onze klantenservice om een garantieclaim aan te vragen en te initiëren. Onze contactinformatie kan worden gevonden op onze website of in de documentatie die bij het product is meegeleverd.

Onze voorwaarden:

- Deze garantie is niet overdraagbaar en is alleen van toepassing voor de oorspronkelijke koper.
- Wij behouden ons het recht voor om deze garantie op elk moment en zonder voorafgaande kennisgeving te wijzigen of aan te passen. De garantie, die op het moment van aankoop van kracht was, is van toepassing.
- Deze garantie geeft u specifieke juridische rechten. U kunt tevens andere rechten hebben die kunnen verschillen op basis van de lokale wetten of voorschriften.

Raadpleeg onze website of neem contact op met onze klantenservice voor extra informatie of vragen over onze garantiedekking.

10. Klantenservice

Hebt u een vraag, opmerking of klacht? Onze klantenservice is elke werkdag bereikbaar van 9:00 tot 17:30. Of u nu hulp nodig hebt met gebruik, onderhoud, probleemoplossing, vervangingsonderdelen of veiligheidsprocedures, wij zijn toegewijd aan het bieden van de ondersteuning die u nodig hebt.

Om onze klantenservice te bereiken, stuur een e-mail naar info@hbm-machines.com

Als u contact opneemt met onze klantenservice, vermeld dan het modelnummer en serienummer van het product en een gedetailleerde beschrijving van het probleem of de storing waarmee u te maken krijgt. Met specifieke informatie, zoals foutcodes, abnormale geluiden of andere relevante omstandigheden, kunnen we het probleem beter vaststellen en oplossen.

Table des matières

1. Consignes de sécurité importantes	19
1.1 Consignes de sécurité générales	19
1.2 Consignes de sécurité complémentaires	19
1.3 Signification des symboles	19
1.4 Signification des mots de signalisation	19
1.5 Utilisation prévue	19
2. Vue d'ensemble	20
2.1 H136180	20
2.2 H136181	21
2.3 Accessoires fournis	21
2.4 Outils nécessaires	21
2.5 Caractéristiques	21
3. Avant la première utilisation	22
3.1 Déballage	22
4. Fonctionnement/Utilisation	22
4.1 Remplissage du réservoir d'eau	22
4.2 Utilisation de bloc réfrigérant (H136180 uniquement)	23
4.3 Panneau de commande	23
4.4 Fonctionnement de l'appareil	23
4.5 Vidange du réservoir d'eau	23
5. Nettoyage et entretien	23
5.1 Nettoyage	23
5.2 Rangement	24
5.3 Transport	24
6. Entretien	24
7. Dépannage	24
8. Mise au rebut	24
8.1 Mise au rebut du produit	24
8.2 Mise au rebut des déchets d'emballage/de matériaux d'emballage	24
9. Garantie	25
10. Service client	26

1. Consignes de sécurité importantes

⚠️ AVERTISSEMENT ! Avant d'installer et d'utiliser l'appareil, lisez attentivement ce manuel d'utilisation.

- » Lisez, suivez et assimilez ce manuel afin d'utiliser l'appareil de manière sûre et efficace. Le non-respect de ces consignes peut occasionner des blessures graves ou causer des dommages.
- » Le propriétaire de cet appareil est responsable quant à son utilisation en toute sécurité. Il s'agit notamment de procéder à des contrôles et à un entretien réguliers, de comprendre le manuel d'utilisation et de suivre les consignes fournies pour garantir une utilisation en toute sécurité.
- » Conservez ce manuel pour toute consultation ultérieure. En cas de cession de cet appareil à un tiers, le présent manuel d'utilisation doit également lui être remis.
- » Le fabricant ne peut être tenu responsable de toute blessure ou de tout dommage matériel résultant d'une négligence, de modifications ou d'une mauvaise utilisation.

⚠️ AVERTISSEMENT ! Risque de blessure par manque de maîtrise de l'utilisation de l'appareil et des consignes de sécurité.

- » Aucune liste de consignes de sécurité ne peut être exhaustive. Chaque environnement présente des particularités. Les accidents sont souvent dus à un manque de maîtrise ou à une distraction.
- » Utilisez cet appareil avec toutes les précautions et la prudence qui s'imposent afin de réduire les risques de blessure. Si les mesures de sécurité habituelles sont négligées ou ignorées, des blessures graves peuvent survenir.

1.1 Consignes de sécurité générales

- Cet appareil peut être utilisé par des enfants âgés d'au moins 8 ans et par des personnes ayant des capacités physiques, sensorielles ou mentales réduites ou manquant d'expérience et de connaissances, à condition qu'ils soient surveillés ou qu'ils aient reçu les consignes concernant l'utilisation de l'appareil en toute sécurité et qu'ils comprennent les risques encourus. Les enfants ne doivent pas jouer avec l'appareil. Le nettoyage et l'entretien ne doivent pas être effectués par des enfants sans surveillance.
- Afin de prévenir tout danger, en cas d'endommagement du câble d'alimentation, veuillez en confier le remplacement au fabricant, à son service de réparation ou à des personnes aux qualifications similaires.
- Sachez qu'un taux d'humidité élevé peut favoriser la prolifération de micro-organismes dans l'environnement.
- Ne laissez pas la zone autour de l'humidificateur devenir humide ou mouillée. En cas d'humidité, réduisez le débit de l'humidificateur. Si le débit de l'humidificateur ne peut pas être réduit, utilisez l'humidificateur par intermittence. Ne laissez pas les matériaux absorbants, tels que les tapis, les rideaux, les tentures ou les nappes, devenir humides.
- Ne laissez pas la zone autour de l'appareil devenir humide ou mouillée. En cas d'humidité, réduisez le débit de l'appareil. Si le débit de l'appareil ne peut pas être réduit, utilisez l'appareil par intermittence. Ne laissez pas les matériaux absorbants, tels que les tapis, les rideaux, les tentures ou les nappes, devenir humides.
- Débranchez l'appareil pendant le remplissage et le nettoyage.
- Ne laissez jamais d'eau dans le réservoir lorsque l'appareil n'est pas utilisé.
- Videz et nettoyez l'humidificateur avant son rangement. Nettoyez l'humidificateur avant sa prochaine utilisation.

1.2 Consignes de sécurité complémentaires

- N'utilisez jamais un appareil endommagé ou ayant subi une chute ! En tel cas, débranchez l'appareil de l'alimentation électrique. Contactez ensuite le centre de maintenance du détaillant pour faire réviser ou réparer l'appareil.
- Ne récupérez jamais un appareil électrique qui serait tombé dans l'eau. Le cas échéant, retirez immédiatement la fiche de la prise électrique.
- Pour éviter d'endommager le câble d'alimentation, ne le coincez pas, ne le pliez pas et ne le faites pas glisser sur des bords tranchants.
- Tenez le câble d'alimentation et l'appareil éloignés de toute surface chaude et de toute flamme nue.
- N'utilisez en aucun cas des accessoires non préconisés dans ce manuel. Ils pourraient constituer un risque pour la sécurité de l'utilisateur et endommager l'appareil. N'utilisez que des pièces et accessoires d'origine.
- Après utilisation, retirez tous les accessoires ou fixations.
- N'insérez aucun objet dans le boîtier de l'appareil.

1.3 Signification des symboles

Les symboles suivants sont utilisés dans ce manuel d'utilisation, sur l'appareil et/ou sur l'emballage.



Ce symbole signifie « Conformité Européenne », qui déclare la « Conformité aux directives, règlements et normes en vigueur dans l'UE ». En apposant le marquage CE, le fabricant confirme que ce produit est conforme aux directives et réglementations européennes en vigueur.



Consultez le manuel et lisez-le.



Débranchez la fiche secteur de la prise électrique.



Le produit appartient à la classe de protection I et doit être raccordé à une prise avec mise à la terre.



Tension et puissance nominales.

1.4 Signification des mots de signalisation

Les mots de signalisation suivants sont utilisés dans ce manuel d'utilisation, sur l'appareil et/ou sur l'emballage.

⚠️ DANGER !	Ce mot de signalisation indique une situation dangereuse imminente qui, si elle n'est pas évitée, entraîne la mort ou des blessures graves.
⚠️ AVERTISSEMENT !	Ce mot de signalisation indique une situation dangereuse potentielle qui, si elle n'est pas évitée, peut entraîner la mort ou des blessures graves.
⚠️ ATTENTION !	Ce mot de signalisation indique une situation dangereuse potentielle qui, si elle n'est pas évitée, peut entraîner des blessures légères ou mineures.
ATTENTION !	Ce mot de signalisation indique une situation dangereuse potentielle qui, si elle n'est pas évitée, peut causer des dommages au produit ou aux biens.
REMARQUE !	Ce mot de signalisation désigne des conseils et des informations utiles supplémentaires.

1.5 Utilisation prévue

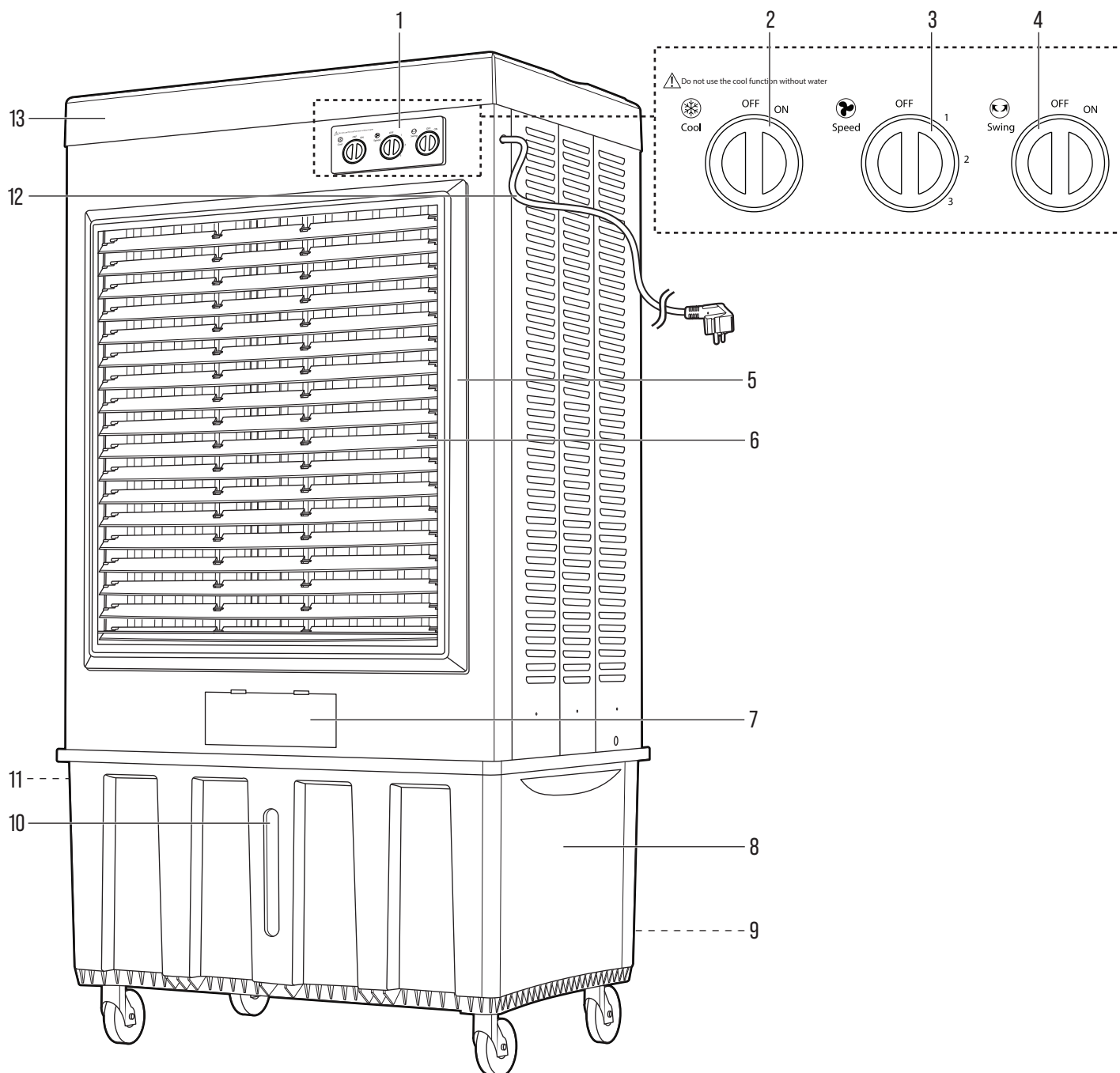
⚠️ AVERTISSEMENT ! Risque de blessures !

» N'utilisez pas l'appareil à d'autres fins que celles pour lesquelles il a été conçu, telles que décrites dans ce manuel d'utilisation. Toute autre utilisation est considérée comme non autorisée.

- L'appareil est spécialement destiné au refroidissement de l'air intérieur par évaporation.
- Cet appareil est destiné à un usage domestique et à des projets de bricolage uniquement.
- Cet appareil est uniquement destiné à une utilisation en intérieur.

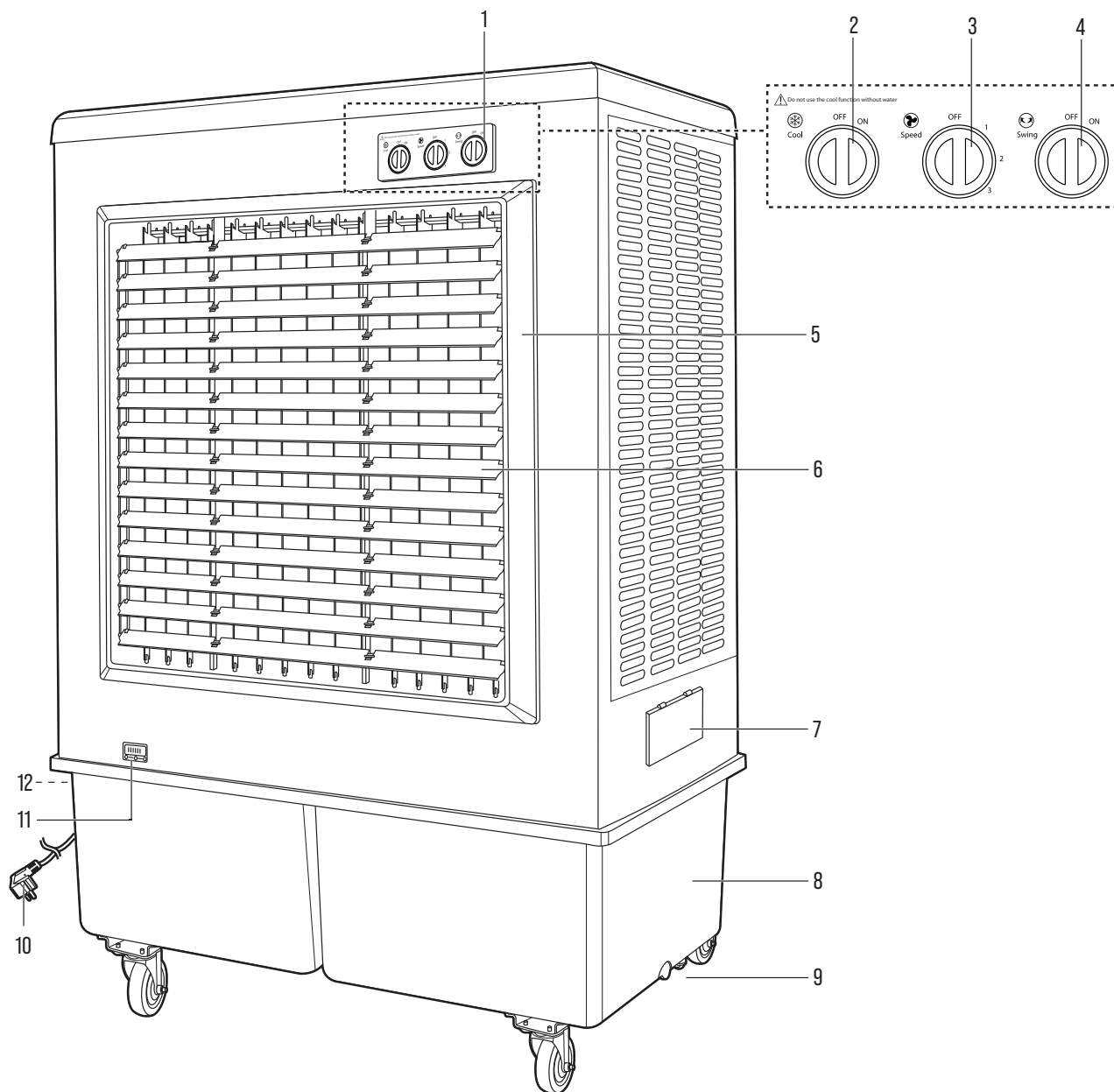
2. Vue d'ensemble

2.1 H136180



No	Nom de la pièce
1	Panneau de commande
2	Molette de contrôle Cool (Rafraîchissement)
3	Molette de contrôle Speed (Vitesse)
4	Molette de contrôle Swing (Oscillation)
5	Sortie d'air
6	Grille
7	Arrivée d'eau

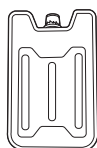
No	Nom de la pièce
8	Réservoir d'eau
9	Vidange (non illustrée)
10	Indicateur de niveau d'eau
11	Arrivée pour remplissage d'eau automatique (non illustrée)
12	Câble d'alimentation
13	Compartiment pour bloc réfrigérant



No	Nom de la pièce
1	Panneau de commande
2	Molette de contrôle Cool (Rafraîchissement)
3	Molette de contrôle Speed (Vitesse)
4	Molette de contrôle Swing (Oscillation)
5	Sortie d'air
6	Grille

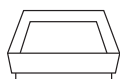
No	Nom de la pièce
7	Arrivée d'eau
8	Réservoir d'eau
9	Vidange
10	Câble d'alimentation
11	Indicateur de niveau d'eau
12	Arrivée pour remplissage d'eau automatique (non illustrée)

2.3 Accessoires fournis



6 x blocs réfrigérants (H136180 uniquement)

2.4 Outils nécessaires



Conteneur



Tuyau d'alimentation en eau (13 mm)

2.5 Caractéristiques

Référence du modèle	H136180	H136181
Tension nominale	220-240 V~, 50-60 Hz	220-240 V~, 50-60 Hz
Entrée nominale	750 W	900 W
Classe de protection	Classe I	Classe I
Indice de protection (IP)	IPX0	IPX0

REMARQUE !

» Les caractéristiques et les structures décrites dans ce manuel d'utilisation étaient exactes au moment de la publication. Il est possible que des modifications soient apportées aux caractéristiques et aux structures sans préavis ni obligations en raison d'améliorations constantes.

Référence du modèle : H136180		
Description	Valeur	Unité
Rendement global	10,0	%
Niveau de rendement au point de rendement énergétique optimal	18	N
Débit au point de rendement énergétique optimal	3500,7	m ³ /h
Pression au point de rendement énergétique optimal	51,0	Pa
Puissance électrique à l'entrée au point de rendement énergétique optimal	0,496	kW
Tours/minute au point de rendement énergétique optimal	902,4	tr/min
Rapport spécifique	1	
Catégorie de mesure	Catégorie de mesure A : entrée et sortie libres	
Catégorie de rendement	Statique	
Indication du fait que le rendement du ventilateur a été calculé en supposant l'utilisation d'un variateur de vitesse	Non	
Indication du fait que le variateur est intégré au ventilateur ou s'il doit être installé avec le ventilateur	Aucun variateur de vitesse	
Année de fabrication	2025	
Norme de mesure	ISO 12759:2010	
Coordonnées pour obtenir plus d'informations	HBM Machines B.V., Louis Dobbelmanweg 12, 2742 JZ, Waddinxveen, The Netherlands	

Référence du modèle : H136181		
Description	Valeur	Unité
Rendement global	14,0	%
Niveau de rendement au point de rendement énergétique optimal	21	N
Débit au point de rendement énergétique optimal	5851,8	m ³ /h
Pression au point de rendement énergétique optimal	61,0	Pa
Puissance électrique à l'entrée au point de rendement énergétique optimal	0,710	kW
Tours/minute au point de rendement énergétique optimal	888,4	tr/min
Rapport spécifique	1	
Catégorie de mesure	Catégorie de mesure A : entrée et sortie libres	
Catégorie de rendement	Statique	
Indication du fait que le rendement du ventilateur a été calculé en supposant l'utilisation d'un variateur de vitesse	Non	
Indication du fait que le variateur est intégré au ventilateur ou s'il doit être installé avec le ventilateur	Aucun variateur de vitesse	
Année de fabrication	2025	
Norme de mesure	ISO 12759:2010	
Coordonnées pour obtenir plus d'informations	HBM Machines B.V., Louis Dobbelmanweg 12, 2742 JZ, Waddinxveen, The Netherlands	

3. Avant la première utilisation

3.1 Déballage

⚠ AVERTISSEMENT ! Risque d'étouffement !

» Gardez les matériaux d'emballage hors de la portée des enfants et des animaux de compagnie afin d'éviter les risques d'étouffement.

REMARQUE !

» Inspectez soigneusement l'emballage pour détecter tout signe visible de dommage, tel que des renforcements, des perforations ou des déchirures. Contactez rapidement notre service client pour tout problème notable. Assurez-vous que le contenu de la livraison est complet et intact avant d'utiliser l'appareil.

- Ouvrez soigneusement le carton et retirez tous les matériaux d'emballage, tels que le papier bulle ou les inserts en mousse. Mettez au rebut et recyclez les matériaux d'emballage de manière responsable.
- Inspectez minutieusement l'appareil pour vérifier qu'il ne présente pas de dommages, de rayures ou de défauts visibles. Vérifiez que toutes les pièces et tous les accessoires attendus sont présents, et signalez tout dommage ou composant manquant à notre service client.

4. Fonctionnement/Utilisation

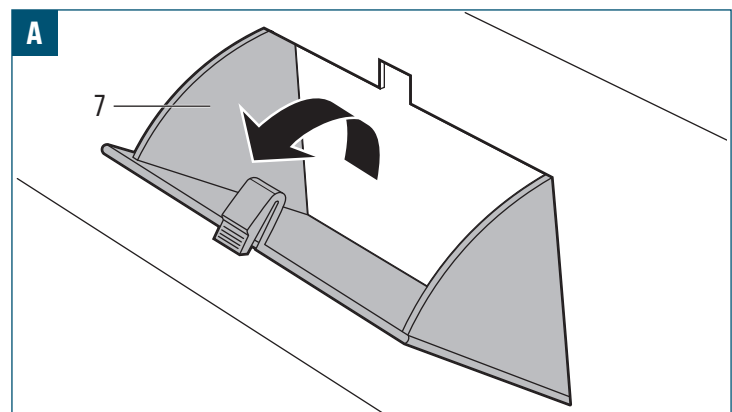
4.1 Remplissage du réservoir d'eau

REMARQUE !

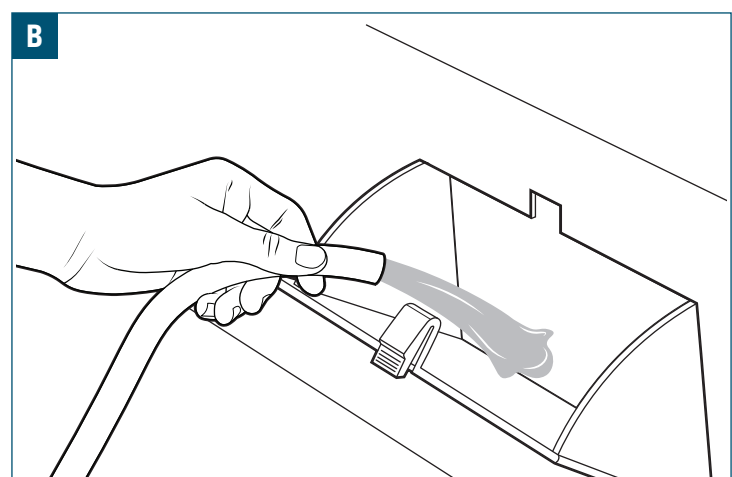
» Le réservoir d'eau (8) peut être rempli de 2 façons, selon les préférences de l'utilisateur.

4.1.1 Remplissage d'eau manuel

1. Ouvrez l'arrivée d'eau (7) (illustration A).



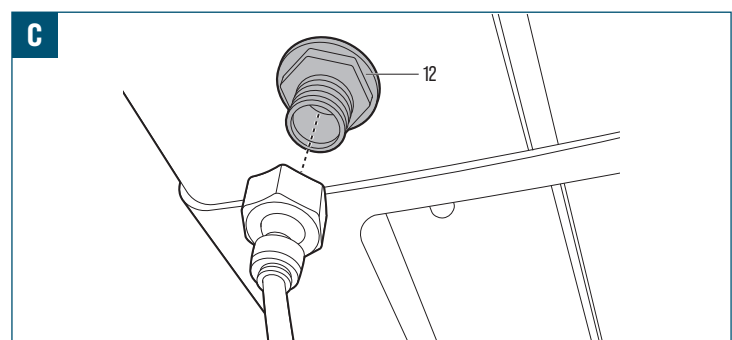
2. Remplissez le réservoir d'eau (8) d'eau claire (illustration B).



3. Surveillez l'indicateur de niveau d'eau (10)/(11) et veillez à ce que le niveau d'eau ne dépasse pas le niveau maximal.

4.1.2 Remplissage d'eau automatique

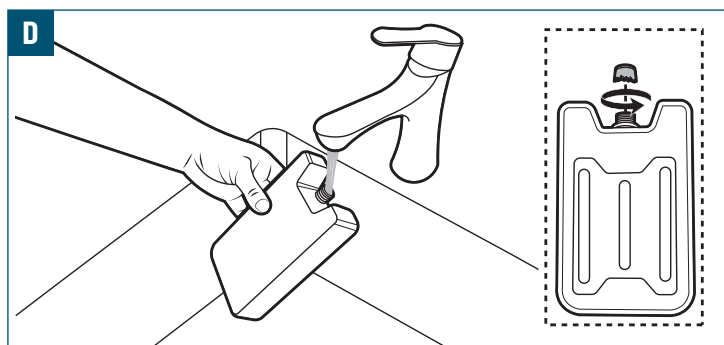
1. Raccordez le tuyau d'alimentation en eau approprié (Ø13 mm) à l'arrivée de remplissage d'eau automatique (11)/(12) (illustration C).



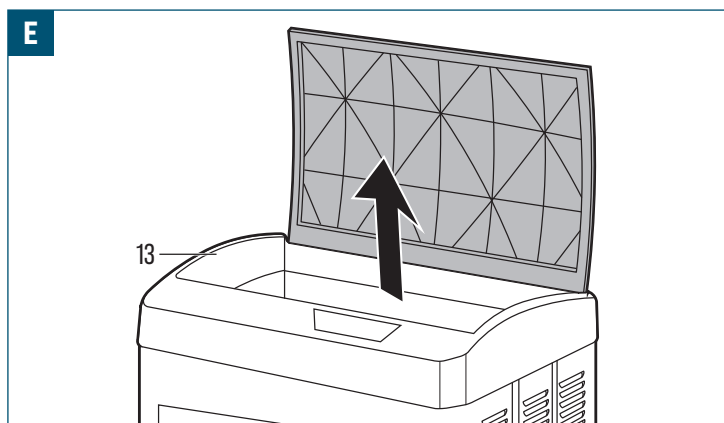
2. Une fois le niveau d'eau souhaité atteint, la valve à flotteur s'active automatiquement et interrompt l'alimentation en eau.

4.2 Utilisation de bloc réfrigérant (H136180 uniquement)

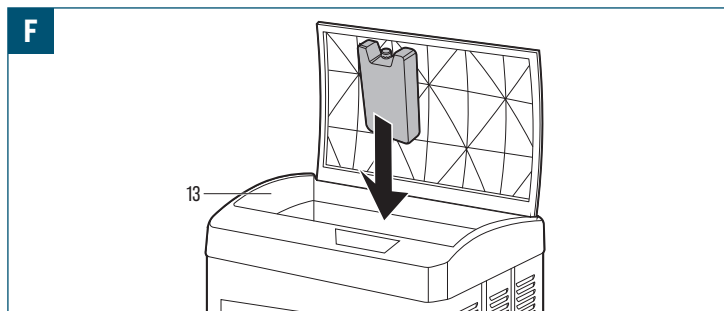
- Ouvrez le capuchon du bloc réfrigérant et remplissez-le d'eau (illustration D). Ne remplissez le bloc réfrigérant qu'à environ 80 % de son volume.



- Laissez reposer le bloc réfrigérant pendant 30 à 40 minutes jusqu'à ce que l'eau et les cristaux de glace se mélangent complètement.
- Placez le bloc réfrigérant au congélateur pendant au moins 2 heures.
- Ouvrez le couvercle du compartiment pour bloc réfrigérant (13) (illustration E).

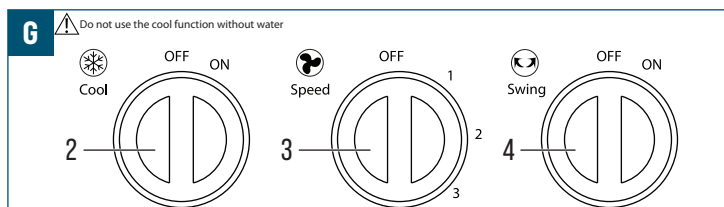


- Placez le bloc réfrigérant congelé dans le compartiment pour bloc réfrigérant (13) (illustration F).



- Congelez à nouveau le bloc réfrigérant lorsqu'il ramollit.

4.3 Panneau de commande



- Molette de contrôle **Cool** (Rafraîchissement) (2) - Active ou désactive le système de refroidissement par évaporation. Lorsque positionnée sur **ON** (MARCHE), la pompe fait circuler l'eau à travers le rideau humide afin de produire un flux d'air refroidi. La fonction **Cooling** (Rafraîchissement) ne doit pas être utilisée lorsque le réservoir d'eau est vide.
- Molette de contrôle **Speed** (Vitesse) (3) - Permet de régler le débit d'air. Trois vitesses de ventilation sont disponibles : **1** pour un fonctionnement silencieux, **2** pour un rafraîchissement standard et **3** pour un débit d'air maximal.
- Molette de contrôle **Swing** (Oscillation) (4) - Active ou désactive l'oscillation horizontale de la grille. Lorsqu'elle est activée, la grille oscille d'un côté à l'autre afin de répartir le flux d'air sur une plus grande surface.

4.4 Fonctionnement de l'appareil

REMARQUE !

» N'utilisez pas la fonction **Cool** (Rafraîchissement) lorsque le réservoir d'eau (8) est vide.

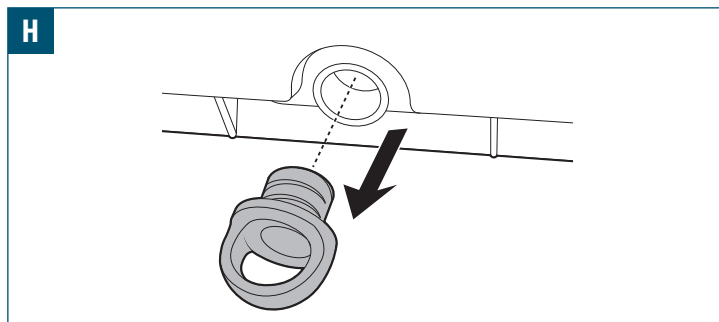
- Placez l'appareil sur une surface stable et horizontale, en laissant suffisamment d'espace pour permettre la circulation de l'air autour de la sortie d'air (5) et des panneaux latéraux.
- Remplissez le réservoir d'eau (8) manuellement ou raccordez le système de remplissage d'eau automatique comme décrit au chapitre 4.1. **Remplissage du réservoir d'eau.**
- Branchez la fiche d'alimentation à une prise électrique correctement reliée à la terre.
- Sélectionnez la vitesse souhaitée à l'aide de la molette de contrôle **Speed** (Vitesse) (3).
- Tournez la molette de contrôle **Cool** (Rafraîchissement) (2) vers **ON** (MARCHE) pour activer le système de refroidissement par évaporation.
- Tournez la molette de contrôle **Swing** (Oscillation) (4) vers **ON** (MARCHE) si vous souhaitez que la grille (6) oscille.
- Surveillez régulièrement le niveau d'eau pendant le fonctionnement et remplissez le réservoir d'eau si nécessaire.
- Après utilisation, positionnez sur **OFF** (ARRÊT) toutes les molettes de contrôle et débranchez la fiche d'alimentation si l'appareil ne doit pas être réutilisé rapidement.

4.5 Vidange du réservoir d'eau

REMARQUE !

» Videz régulièrement le réservoir d'eau, et avant un rangement prolongé et lorsque le nettoyage est nécessaire.

- Placez un conteneur juste en dessous de la vidange (9).
- Retirez le bouchon de vidange (illustration H). L'eau usée s'écoule par le trou de vidange.



- Inclinez légèrement l'appareil pour vider toute l'eau restante.
- Remettez le bouchon de vidange en place et serrez-le bien avant de remplir à nouveau.

5. Nettoyage et entretien

⚠ AVERTISSEMENT ! Risque de décharge électrique !

» Éteignez toujours l'appareil et débranchez-le de sa source d'alimentation avant de le nettoyer. Cela permet de réduire le risque de décharge électrique pendant le nettoyage.

5.1 Nettoyage

ATTENTION ! Risque d'endommagement !

» Évitez d'utiliser des nettoyeurs, des solvants, des éponges à récurer ou des brosses abrasives qui peuvent endommager les surfaces, faire disparaître les revêtements protecteurs ou causer une corrosion lorsque vous nettoyez l'appareil.

- Essuyez l'appareil à l'aide d'un chiffon légèrement humide.
- Veillez à ce que la sortie d'air (5) et la grille (6) ne soient pas obstruées par une accumulation de poussières afin de maintenir un débit d'air adéquat.
- Nettoyez régulièrement le réservoir d'eau (8) pour éviter la formation de tartre. Videz le réservoir d'eau (8), essuyez l'intérieur avec un chiffon doux et remplissez-le d'eau claire.
- N'utilisez pas de tuyau d'arrosage ou d'eau à haute pression sur l'appareil.

REMARQUE !

- » Nettoyez soigneusement l'appareil, éliminez la saleté, les débris et toute substance résiduelle. Assurez-vous que toutes les pièces sont sèches afin de prévenir la corrosion ou les dommages pendant le rangement.
- » Rangez l'appareil dans un endroit propre, sec et bien ventilé. Évitez de ranger l'appareil dans des endroits humides, mouillés, excessivement chauds ou exposés à la lumière directe du soleil.
- » Veillez à ce que l'appareil soit rangé dans un endroit sûr, hors de la portée des enfants et des animaux de compagnie.

- Enroulez soigneusement le câble d'alimentation et évitez les coudes ou les torsions importantes qui pourraient entraîner une rupture des fils ou des risques électriques.
- Placez l'appareil sur une surface plane et stable.
- Recouvrez l'appareil avec une housse adaptée pour le protéger de la poussière et des débris.
- Vérifiez périodiquement l'appareil une fois rangé afin de vous assurer qu'il reste en bon état. Vérifiez l'absence de tout signe de détérioration, de corrosion ou de parasites. Réglez rapidement tout problème afin de prévenir tout dommage ou toute détérioration supplémentaire.

5.3 Transport

- Utilisez des sangles, des arrimages ou des renforts adaptés pour maintenir l'appareil en place et éviter de l'endommager ou d'endommager le véhicule.
- Répartissez le poids uniformément lorsque vous chargez l'appareil sur un véhicule ou une remorque.

6. Entretien

⚠ AVERTISSEMENT ! Risque de décharge électrique !

- » Éteignez toujours l'appareil et débranchez-le de sa source d'alimentation avant l'entretien. Cela permet de réduire le risque de décharge électrique pendant l'entretien.

- Veillez à ce que l'arrivée et la sortie d'air soient exemptes de poussières et d'obstructions.
- Vérifiez la sortie de vidange et le tuyau de vidange pour vous assurer que l'eau s'écoule librement pendant la vidange.
- Maintenez l'appareil en position verticale lors du déplacement ou du rangement afin d'éviter tout dommage interne.
- N'ouvrez pas le circuit réfrigérant étanche.

7. Dépannage

Suivez les consignes fournies dans ce chapitre pour recenser les problèmes et les solutions possibles. Si le problème ne peut être résolu de manière autonome, il est recommandé de demander l'assistance d'un centre de maintenance agréé ou d'un technicien qualifié pour des opérations d'inspection, d'entretien et de réparation plus approfondis. Vous pouvez également contacter notre service client pour obtenir de l'aide.

Symptôme	Cause possible	Solution possible
Le débit d'air est faible.	<ul style="list-style-type: none"> • Des poussières se sont accumulées sur la sortie d'air (5) ou la grille (6). 	<ul style="list-style-type: none"> • Nettoyez la sortie d'air (5) et la grille (6) pour rétablir un débit d'air normal.
Aucun flux d'air ne sort de l'appareil.	<ul style="list-style-type: none"> • Le panneau de commande (1) ne fonctionne pas correctement. 	<ul style="list-style-type: none"> • Faites inspecter ou remplacer le panneau de commande (1) par un technicien qualifié.
De l'eau fuit de l'appareil.	<ul style="list-style-type: none"> • Le bouchon de vidange n'est pas correctement fermé. • Le réservoir d'eau (8) est trop rempli. 	<ul style="list-style-type: none"> • Ajustez ou fixez bien le bouchon de vidange pour éviter toute fuite. • Réduisez le niveau d'eau du réservoir d'eau (8).
Les performances de rafraîchissement sont faibles.	<ul style="list-style-type: none"> • Le réservoir d'eau (8) ne contient pas assez d'eau. 	<ul style="list-style-type: none"> • Remplissez le réservoir d'eau (8) et activez la molette de contrôle Cool (Rafraîchissement) (2).
L'appareil vibre ou émet un bruit anormal.	<ul style="list-style-type: none"> • L'appareil est placé sur une surface irrégulière. • Les pales de ventilateur ou la grille (6) sont desserrées. 	<ul style="list-style-type: none"> • Déplacez l'appareil vers une surface stable et horizontale. • Faites inspecter et réparer l'appareil par un technicien qualifié.

8. Mise au rebut

8.1 Mise au rebut du produit



Les directives relatives aux déchets d'équipements électriques et électroniques (DEEE) visent à réduire au minimum l'impact des produits électriques et électroniques sur l'environnement et la santé des individus, en augmentant la réutilisation et le recyclage et en réduisant la quantité de déchets d'équipements électriques et électroniques mis en décharge. Le symbole figurant sur ce produit et sur son emballage signifie que le produit en fin de vie doit être mis au rebut séparément des déchets ménagers ordinaires. Sachez qu'il est de la responsabilité du propriétaire de mettre au rebut les déchets électriques et électronique dans les centres de recyclage afin de préserver les ressources naturelles. Chaque pays dispose de centres de collecte pour les déchets électriques et électroniques. Pour plus d'informations sur les zones de recyclage de votre localité, contactez les autorités responsables de la gestion des déchets d'équipements électriques et électroniques de la commune, la mairie ou le service local de traitement des déchets ménagers.

8.2 Mise au rebut des déchets d'emballage/de matériaux d'emballage

Le tri et la mise au rebut corrects des matériaux d'emballage sont essentiels à une gestion des déchets respectueuse de l'environnement. L'emballage est destiné à protéger le produit pendant le transport et est composé de matériaux qui peuvent être recyclés.

- Éliminez les emballages en carton et en papier en les confiant au centre de recyclage du papier ou à la collecte de papier usagé. Renseignez-vous auprès des centres de recyclage les plus proches pour connaître les informations spécifiques à suivre pour recycler le carton et les feuilles de papier.
- Éliminez les matériaux de conditionnement, les inserts, les sangles et autres emballages en plastique en vous renseignant auprès des centres de recyclage les plus proches pour obtenir des informations spécifiques sur les méthodes de recyclage ou d'élimination des déchets. Suivez leurs consignes pour assurer une mise au rebut correcte et promouvoir le respect de l'environnement.

9. Garantie

Article L217-16 du Code de la consommation

Lorsque l'acheteur demande au vendeur, pendant le cours de la garantie commerciale qui lui a été consentie lors de l'acquisition ou de la réparation d'un bien meuble, une remise en état couverte par la garantie, toute période d'immobilisation d'au moins sept jours vient s'ajouter à la durée de la garantie qui restait à courir. Cette période court à compter de la demande d'intervention de l'acheteur ou de la mise à disposition pour réparation du bien en cause, si cette mise à disposition est postérieure à la demande d'intervention.

Indépendamment de la garantie commerciale souscrite, le vendeur reste tenu des défauts de conformité du bien et des vices rédhibitoires dans les conditions prévues aux articles L217-4 à L217-13 du Code de la consommation et aux articles 1641 à 1648 et 2232 du Code Civil.

Article L217-4 du Code de la consommation

Le vendeur livre un bien conforme au contrat et répond des défauts de conformité existant lors de la délivrance.

Il répond également des défauts de conformité résultant de l'emballage, des instructions de montage ou de l'installation lorsque celle-ci a été mise à sa charge par le contrat ou a été réalisée sous sa responsabilité.

Article L217-5 du Code de la consommation

Le bien est conforme au contrat :

1° S'il est propre à l'usage habituellement attendu d'un bien semblable et, le cas échéant :

- s'il correspond à la description donnée par le vendeur et posséder les qualités que celui-ci a présentées à l'acheteur sous forme d'échantillon ou de modèle ;
- s'il présente les qualités qu'un acheteur peut légitimement attendre eu égard aux déclarations publiques faites par le vendeur, par le producteur ou par son représentant, notamment dans la publicité ou l'étiquetage ;

2° Ou s'il présente les caractéristiques définies d'un commun accord par les parties ou être propre à tout usage spécial recherché par l'acheteur, porté à la connaissance du vendeur et que ce dernier a accepté.

Article L217-12 du Code de la consommation

L'action résultant du défaut de conformité se prescrit par deux ans à compter de la délivrance du bien.

Article 1641 du Code civil

Le vendeur est tenu de la garantie à raison des défauts cachés de la chose vendue qui la rendent impropre à l'usage auquel on la destine, ou qui diminuent tellement cet usage que l'acheteur ne l'aurait pas acquise, ou n'en aurait donné qu'un moindre prix, s'il les avait connus.

Article 1648 1er alinéa du Code civil

L'action résultant des vices rédhibitoires doit être intentée par l'acquéreur dans un délai de deux ans à compter de la découverte du vice.

Les pièces détachées indispensables à l'utilisation du produit sont disponibles pendant la durée de la garantie du produit.

Le produit a été fabriqué avec soin selon des critères de qualité stricts et contrôlé consciencieusement avant sa livraison. En cas de défaut de matériel ou de fabrication, vous avez des droits légaux vis-à-vis du vendeur du produit. Vos droits légaux ne sont en aucun cas limités par notre garantie mentionnée ci-dessous.

La garantie de ce produit est de **2 ans** à partir de la date d'achat. La période de garantie débute à la date d'achat. Conservez le ticket de caisse original dans un endroit sûr, car ce document est nécessaire comme preuve d'achat.

Tout dommage ou défaut déjà présent au moment de l'achat doit être signalé immédiatement après le déballage du produit.

Si le produit présente un défaut de matériel ou de fabrication dans les **2 ans** suivant la date d'achat, nous le réparerons ou le remplacerons – selon notre choix – gratuitement pour vous. La période de garantie n'est pas prolongée par un recours à la garantie accordé. Ceci s'applique également aux pièces remplacées et réparées.

La garantie prend fin si le produit a été endommagé, s'il a été utilisé ou entretenu de manière incorrecte.

La garantie couvre les défauts de matériel et de fabrication. Cette garantie ne couvre pas les pièces du produit qui sont soumises à une usure normale et qui sont donc considérées comme des pièces d'usure (par ex. piles, accus, tuyaux, cartouches d'encre), ni les dommages aux pièces cassables, par ex. les interrupteurs ou les pièces en verre.

Faire valoir sa garantie

Pour garantir la rapidité d'exécution de la procédure de garantie, veuillez respecter les indications suivantes :

Veuillez conserver le ticket de caisse et la référence du produit à titre de preuve d'achat pour toute demande.

Le numéro de référence de l'article est indiqué sur la plaque d'identification, gravé sur la page de titre de votre manuel ou sur un autocollant apposé sur la face arrière ou inférieure du produit.

En cas de dysfonctionnement du produit, ou de tout autre défaut, contactez en premier lieu le service après-vente par téléphone ou par e-mail aux coordonnées indiquées ci-dessous.

Vous pouvez alors envoyer franco de port tout produit considéré comme défectueux au service clientèle indiqué, accompagné de la preuve d'achat (ticket de caisse) et d'une description écrite du défaut avec mention de sa date d'apparition.

HBM Machines B.V. se porte garant de la qualité et des techniques de fabrication de ses produits. Cette garantie s'applique à tous les produits achetés directement auprès de notre société ou de revendeurs agréés.

Garantie limitée :

Nos produits sont couverts par une garantie limitée contre les défauts matériels et de fabrication pendant **2 ans**. Pendant la période de garantie, s'il s'avère qu'un produit présente un défaut de fabrication, nous nous engageons, à notre discrétion, à réparer ou à remplacer le produit défectueux, ou à fournir un remboursement correspondant au prix d'achat.

Exceptions :

Cette garantie ne couvre pas les dommages résultant d'une mauvaise utilisation, d'un traitement abusif, d'une négligence, d'une mise en place incorrecte, d'un accident, d'une usure normale, d'un phénomène naturel ou de modifications ou de réparations non autorisées. En outre, cette garantie ne couvre pas les dommages ou défauts résultant du non-respect des consignes, des caractéristiques ou des recommandations d'utilisation de nos produits.

Procédure de réclamation :

Pour faire valoir la garantie, la preuve d'achat originale, telle qu'un reçu ou un numéro de commande, est nécessaire.

Pour déterminer si un produit est couvert par la garantie, nous pouvons solliciter des informations complémentaires ou des preuves de la défectuosité, telles que des photos ou un retour du produit. Contactez directement notre service client pour examiner et lancer une réclamation au titre de la garantie. Les coordonnées permettant de nous contacter sont disponibles sur notre site Internet ou jointes à la documentation du produit.

Autres conditions générales :

- Cette garantie n'est pas transférable et ne s'applique qu'à l'acheteur initial.
- Nous nous réservons le droit d'amender ou de modifier cette garantie à tout moment et sans préavis. La garantie en vigueur au moment de l'achat est appliquée.
- Cette garantie accorde des droits spécifiques. Vous pouvez également bénéficier d'autres droits qui varient en fonction des lois et réglementations locales.

Veuillez vous rendre sur notre site Internet ou contacter notre service client pour toute information complémentaire ou demande de renseignements concernant la couverture de notre garantie.

HBM Machines B.V. se porte garant de la qualité et des techniques de fabrication de ses produits. Cette garantie s'applique à tous les produits achetés directement auprès de notre société ou de revendeurs agréés.

Garantie limitée :

Nos produits sont couverts par une garantie limitée contre les défauts matériels et de fabrication pendant **2 ans**. Pendant la période de garantie, s'il s'avère qu'un produit présente un défaut de fabrication, nous nous engageons, à notre discrétion, à réparer ou à remplacer le produit défectueux, ou à fournir un remboursement correspondant au prix d'achat.

Exceptions :

Cette garantie ne couvre pas les dommages résultant d'une mauvaise utilisation, d'un traitement abusif, d'une négligence, d'une mise en place incorrecte, d'un accident, d'une usure normale, d'un phénomène naturel ou de modifications ou de réparations non autorisées. En outre, cette garantie ne couvre pas les dommages ou défauts résultant du non-respect des consignes, des caractéristiques ou des recommandations d'utilisation de nos produits.

Procédure de réclamation :

Pour faire valoir la garantie, la preuve d'achat originale, telle qu'un reçu ou un numéro de commande, est nécessaire.

Pour déterminer si un produit est couvert par la garantie, nous pouvons solliciter des informations complémentaires ou des preuves de la défectuosité, telles que des photos ou un retour du produit. Contactez directement notre service client pour examiner et lancer une réclamation au titre de la garantie. Les coordonnées permettant de nous contacter sont disponibles sur notre site Internet ou jointes à la documentation du produit.

Autres conditions générales :

- Cette garantie n'est pas transférable et ne s'applique qu'à l'acheteur initial.
- Nous nous réservons le droit d'amender ou de modifier cette garantie à tout moment et sans préavis. La garantie en vigueur au moment de l'achat est appliquée.
- Cette garantie accorde des droits spécifiques. Vous pouvez également bénéficier d'autres droits qui varient en fonction des lois et réglementations locales.

Veillez vous rendre sur notre site Internet ou contacter notre service client pour toute information complémentaire ou demande de renseignements concernant la couverture de notre garantie.

10. Service client

Vous avez une question, une remarque ou une plainte à formuler ? Notre service client est disponible les jours ouvrables de 9 h 00 à 17 h 30. Que vous ayez besoin d'aide pour l'utilisation, l'entretien, le dépannage, les pièces de rechange ou les procédures de sécurité, nous nous engageons à vous fournir l'assistance dont vous avez besoin.

Pour joindre notre service client, veuillez envoyer un courriel à info@hbm-machines.com

Lorsque vous contactez notre service client, veuillez indiquer la référence du produit et le numéro de série de l'équipement, ainsi qu'une description détaillée du problème ou de la panne que vous rencontrez. Inclure des informations spécifiques telles que les codes d'erreur, les sons anormaux ou d'autres éléments pertinents nous aidera à diagnostiquer et à résoudre le problème de manière plus efficace.

Inhaltsverzeichnis

1. Wichtige Sicherheitsanweisungen	28
1.1 Allgemeine Sicherheitsanweisungen	28
1.2 Weitere Sicherheitsanweisungen	28
1.3 Erklärung der Symbole	28
1.4 Erklärung der Signalwörter	28
1.5 Bestimmungsgemäßer Gebrauch	28
2. Übersicht	29
2.1 H136180	29
2.2 H136181	30
2.3 Mitgeliefertes Zubehör	30
2.4 Benötigte Werkzeuge	30
2.5 Technische Daten	30
3. Vor dem ersten Gebrauch	31
3.1 Auspacken	31
4. Betrieb/Nutzung	31
4.1 Auffüllen des Wassertanks	31
4.2 Verwendung des Kühlakkus (nur für H136180)	32
4.3 Bedienfeld	32
4.4 Bedienen des Geräts	32
4.5 Entleeren des Wassertanks	32
5. Reinigung und Pflege	32
5.1 Reinigung	32
5.2 Lagerung	33
5.3 Transport	33
6. Wartung	33
7. Fehlersuche	33
8. Entsorgung	33
8.1 Entsorgung des Produkts	33
8.2 Entsorgung der Verpackung/des Verpackungsmaterials	33
9. Garantie	34
10. Kundendienst	34

1. Wichtige Sicherheitsanweisungen

⚠️ WARNUNG! Lesen und verstehen Sie dieses Handbuch vollständig, bevor Sie das Gerät einrichten und nutzen.

- » Lesen, befolgen und verstehen Sie dieses Handbuch, um das Gerät sicher und effizient zu nutzen. Die Nichtbeachtung dieser Anweisungen kann zu schweren Verletzungen oder Schäden führen.
- » Der Eigentümer dieses Geräts ist für dessen sichere Nutzung verantwortlich. Dazu gehört, regelmäßige Inspektionen und Wartungsarbeiten durchzuführen, das Handbuch zu verstehen und die darin enthaltenen Anweisungen für eine sichere Nutzung zu befolgen.
- » Bewahren Sie dieses Handbuch zum späteren Nachschlagen auf. Fügen Sie dieses Handbuch bei, wenn Sie dieses Gerät an Dritte weitergeben.
- » Der Hersteller haftet nicht für Verletzungen oder Sachschäden, die aus Fahrlässigkeit, Modifizierung oder Zweckentfremdung hervorgehen.

⚠️ WARNUNG! Verletzungsgefahr aufgrund mangelnder Vertrautheit mit der Nutzung des Geräts und den Sicherheitsanweisungen.

- » Keine Liste mit Sicherheitshinweisen kann vollständig sein. Jede Umgebung ist anders. Unfälle werden häufig durch mangelnde Vertrautheit oder Ablenkung verursacht.
- » Nutzen Sie dieses Gerät vorsichtig und umsichtig, um das Verletzungsrisiko zu verringern. Wenn normale Sicherheitsvorkehrungen übersehen oder ignoriert werden, kann es zu schweren Verletzungen kommen.

1.1 Allgemeine Sicherheitsanweisungen

- Dieses Gerät kann von Kindern ab 8 Jahren sowie von Personen mit eingeschränkten körperlichen, sensorischen oder geistigen Fähigkeiten oder Mangel an Erfahrung und Kenntnissen verwendet werden, wenn sie beaufsichtigt werden oder bezüglich der sicheren Verwendung des Geräts unterwiesen wurden und die damit verbundenen Gefahren verstehen. Kinder dürfen nicht mit dem Gerät spielen. Lassen Sie Kinder keine Reinigungs- und Wartungsarbeiten durchführen, ohne die Kinder dabei zu beaufsichtigen.
- Falls das Netzkabel beschädigt ist, muss dieses vom Hersteller, dessen Kundendienst oder einer ähnlich qualifizierten Person ersetzt werden, damit Gefährdungen vermieden werden.
- Beachten Sie, dass hohe Luftfeuchtigkeit das Wachstum biologischer Organismen in der Umwelt fördern kann.
- Lassen Sie den Bereich um den Luftbefeuchter nicht feucht oder nass werden. Wenn Feuchtigkeit auftritt, schalten Sie die Ausgabe des Luftbefeuchters herunter. Wenn das Ausgabevolumen des Luftbefeuchters nicht verringert werden kann, verwenden Sie den Luftbefeuchter nur zeitweise. Lassen Sie saugfähige Materialien wie Teppiche, Vorhänge, Gardinen oder Tischdecken nicht feucht werden.
- Lassen Sie den Bereich um das Gerät nicht feucht oder nass werden. Wenn Feuchtigkeit auftritt, schalten Sie die Ausgabe des Geräts herunter. Wenn das Ausgabevolumen des Geräts nicht verringert werden kann, verwenden Sie das Gerät nur zeitweise. Lassen Sie saugfähige Materialien wie Teppiche, Vorhänge, Gardinen oder Tischdecken nicht feucht werden.
- Trennen Sie das Gerät während der Befüllung und Reinigung vom Stromnetz.
- Lassen Sie niemals Wasser im Behälter, wenn das Gerät nicht benutzt wird.
- Entleeren und reinigen Sie den Luftbefeuchter vor der Lagerung. Reinigen Sie den Luftbefeuchter vor der nächsten Verwendung.

1.2 Weitere Sicherheitsanweisungen

- Verwenden Sie niemals ein beschädigtes Gerät oder ein Gerät, das zuvor heruntergefallen war! Trennen Sie in solchen Fällen das Gerät von der Stromversorgung. Wenden Sie sich dann an den Kundendienst des Händlers, um das Gerät überprüfen oder reparieren zu lassen.
- Holen Sie niemals ein Elektrogerät zurück, das ins Wasser gefallen ist. Ziehen Sie in diesen Fällen sofort den Netzstecker aus der Netzsteckdose.
- Um eine Beschädigung des Netzkabels zu vermeiden, dürfen Sie es nicht quetschen, biegen oder über scharfe Kanten ziehen.
- Halten Sie das Netzkabel und das Gerät von heißen Oberflächen und offenen Flammen fern.
- Verwenden Sie niemals Zubehör, das nicht in diesem Handbuch empfohlen wird. Dies könnte ein Sicherheitsrisiko für den Benutzer darstellen und das Gerät beschädigen. Verwenden Sie nur Originalteile und -zubehör.
- Entfernen Sie alle Zubehörteile oder Aufsätze nach Gebrauch.
- Stecken Sie keine Objekte in das Gehäuse des Geräts.

1.3 Erklärung der Symbole

Folgende Symbole werden in diesem Handbuch, auf dem Gerät und/oder auf der Verpackung verwendet.



Dieses Symbol steht für „Conformité Européenne“, womit die „Konformität mit EU-Richtlinien, Verordnungen und anwendbaren Normen“ deklariert wird. Mit dem CE-Zeichen bestätigt der Hersteller, dass dieses Produkt den geltenden europäischen Richtlinien und Verordnungen entspricht.



Lesen Sie das Handbuch und beziehen Sie sich darauf.



Ziehen Sie den Stecker aus der Netzsteckdose.



Dieses Produkt ist ein Gerät der Schutzklasse I und muss an eine Schutzerdung angeschlossen werden.



Nennspannung und -leistung.

1.4 Erklärung der Signalwörter

Die folgenden Signalwörter werden in diesem Handbuch, am Gerät und/oder auf der Verpackung verwendet.

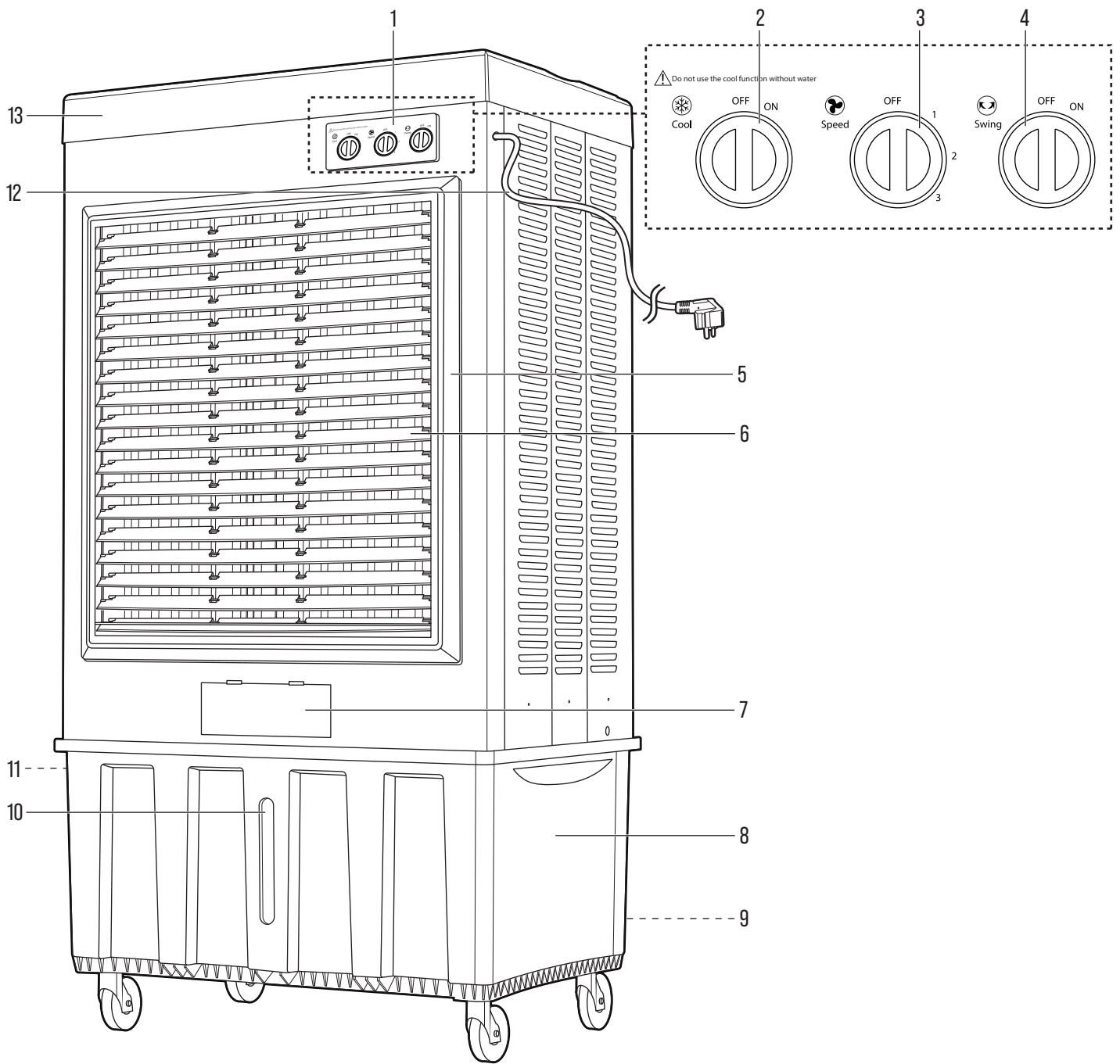
⚠️ GEFAHR!	Dieses Signalwort wird verwendet, um auf eine unmittelbare Gefahrensituation hinzuweisen, die bei Nichtvermeidung zum Tod oder zu schweren Verletzungen führt.
⚠️ WARNUNG!	Dieses Signalwort wird verwendet, um auf eine potenziell gefährliche Situation hinzuweisen, die bei Nichtvermeidung zu schweren Verletzungen oder zum Tod führen kann.
⚠️ VORSICHT!	Dieses Signalwort wird verwendet, um auf eine potenziell gefährliche Situation hinzuweisen, die bei Nichtvermeidung zu leichten oder mittelschweren Verletzungen führen kann.
VORSICHT!	Dieses Signalwort wird verwendet, um auf eine potenziell gefährliche Situation hinzuweisen, die bei Nichtvermeidung zu Produkt- oder Sachschäden führen kann.
HINWEIS!	Dieses Signalwort gibt weitere nützliche Tipps und Informationen an.

1.5 Bestimmungsgemäßer Gebrauch

⚠️ WARNUNG! Verletzungsrisiko!

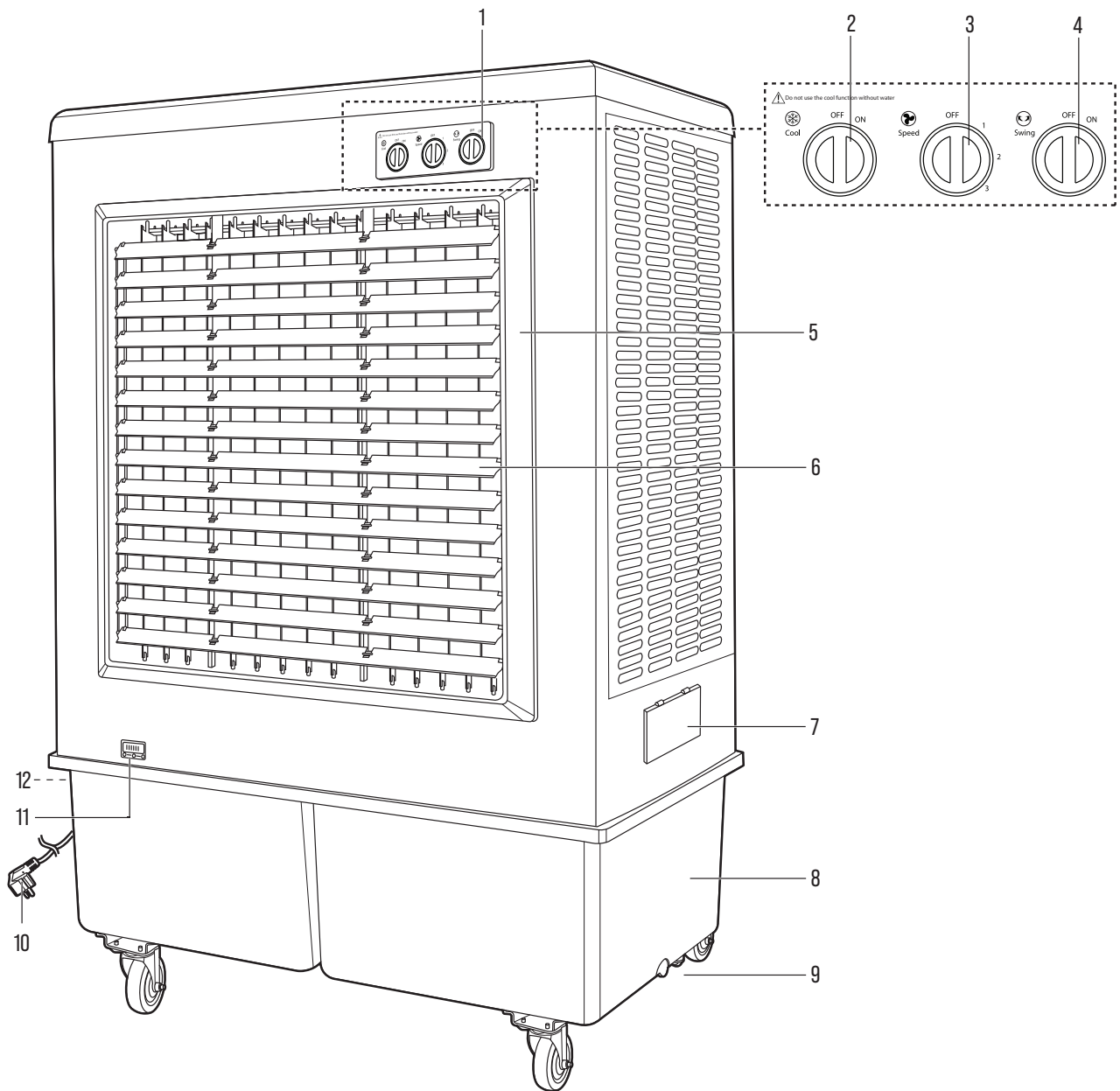
» Verwenden Sie das Gerät nur zu dem in diesem Handbuch beschriebenen Verwendungszweck. Jede andere Nutzung ist unzulässig.

- Das Gerät wurde speziell für die Kühlung von Innenraumluft durch Verdunstungskühlung entwickelt.
- Dieses Gerät ist nur zum Gebrauch im Haushalt und im Heimwerkerbereich bestimmt.
- Das Gerät ist nur für den Einsatz in Innenräumen geeignet.



Nr.	Bezeichnung des Teils
1	Bedienfeld
2	Cool (Kühlung)-Drehregler
3	Speed (Drehzahl)-Drehregler
4	Swing (Schwenkung)-Drehregler
5	Luftauslass
6	Lüftungsgitter
7	Wassereinlass

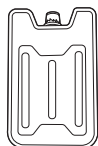
Nr.	Bezeichnung des Teils
8	Wassertank
9	Abfluss (nicht abgebildet)
10	Wasserstandsanzeige
11	Automatischer Wassereinfüllstutzen (nicht abgebildet)
12	Netzkabel
13	Kühlakku-Fach



Nr.	Bezeichnung des Teils
1	Bedienfeld
2	Cool (Kühlung)-Drehregler
3	Speed (Drehzahl)-Drehregler
4	Swing (Schwenkung)-Drehregler
5	Luftauslass
6	Lüftungsgitter

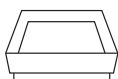
Nr.	Bezeichnung des Teils
7	Wassereinfluss
8	Wassertank
9	Abfluss
10	Netzkabel
11	Wasserstandsanzeige
12	Automatischer Wassereinfüllstutzen (nicht abgebildet)

2.3 Mitgeliefertes Zubehör



6 x Kühlakku (nur für H136180)

2.4 Benötigte Werkzeuge



Behälter



Wasserzulaufschlauch (13 mm)

2.5 Technische Daten

Modellnummer	H136180	H136181
Nennspannung	220-240 V~, 50-60 Hz	220-240 V~, 50-60 Hz
Aufnahmeleistung	750 W	900 W
Schutzklasse	Klasse I	Klasse I
Schutzart (IP)	IPX0	IPX0

HINWEIS!

» Die in diesem Handbuch dargestellten technischen Daten und Konstruktionen waren zum Zeitpunkt der Veröffentlichung korrekt. Es besteht die Möglichkeit, dass technische Daten und Konstruktionen aufgrund ständiger Verbesserungen ohne vorherige Ankündigung oder Verpflichtungen geändert werden.

Modellnummer: H136180		
Beschreibung	Wert	Einheit
Gesamteffizienz	10,0	%
Wirkungsgrad am Energieeffizienzoptimum	18	N
Massen- bzw. Volumenstrom am Energieeffizienzoptimum	3500,7	m ³ /h
Druck am Energieeffizienzoptimum	51,0	Pa
Elektrische Eingangsleistung am Energieeffizienzoptimum	0,496	kW
Umdrehungen pro Minute am Energieeffizienzoptimum	902,4	U/min
Spezifisches Verhältnis	1	
Messkategorie	Messkategorie A: mit freien Einlass- und Auslassbedingungen	
Effizienzategorie	Statisch	
Ob die Berechnung der Ventilatoreffizienz auf der Annahme beruht, dass eine Drehzahlregelung zum Einsatz kommt	Nein	
Ob die Drehzahlregelung in den Ventilator integriert ist oder ob sie mit diesem installiert werden muss	Keine Drehzahlregelung	
Herstellungsjahr	2025	
Messnorm	ISO 12759:2010	
Kontaktinformationen, um weitere Informationen zu erhalten	HBM Machines B.V., Louis Dobbelmanweg 12, 2742 JZ, Waddinxveen, Niederlande	

Modellnummer: H136181		
Beschreibung	Wert	Einheit
Gesamteffizienz	14,0	%
Wirkungsgrad am Energieeffizienzoptimum	21	N
Massen- bzw. Volumenstrom am Energieeffizienzoptimum	5851,8	m ³ /h
Druck am Energieeffizienzoptimum	61,0	Pa
Elektrische Eingangsleistung am Energieeffizienzoptimum	0,710	kW
Umdrehungen pro Minute am Energieeffizienzoptimum	888,4	U/min
Spezifisches Verhältnis	1	
Messkategorie	Messkategorie A: mit freien Einlass- und Auslassbedingungen	
Effizienzategorie	Statisch	
Ob die Berechnung der Ventilatoreffizienz auf der Annahme beruht, dass eine Drehzahlregelung zum Einsatz kommt	Nein	
Ob die Drehzahlregelung in den Ventilator integriert ist oder ob sie mit diesem installiert werden muss	Keine Drehzahlregelung	
Herstellungsjahr	2025	
Messnorm	ISO 12759:2010	
Kontaktinformationen, um weitere Informationen zu erhalten	HBM Machines B.V., Louis Dobbelmanweg 12, 2742 JZ, Waddinxveen, Niederlande	

3. Vor dem ersten Gebrauch

3.1 Auspacken

⚠️ WARNUNG! Erstickenrisiko!

» Halten Sie Verpackungsmaterialien von Kindern und Haustieren fern, um Erstickenrisiken zu vermeiden.

HINWEIS!

» Untersuchen Sie die Verpackung sorgfältig auf sichtbare Anzeichen von Beschädigungen, wie z. B. Beulen, Einstiche oder Risse. Wenden Sie sich umgehend an unser Kundendienst-Team, falls wesentliche Probleme auftreten. Vergewissern Sie sich, dass der gelieferte Inhalt vollständig und unbeschädigt ist, bevor Sie das Gerät nutzen.

- Öffnen Sie den Karton vorsichtig und entfernen Sie alle Verpackungsmaterialien wie Luftpolsterfolie oder Schaumstoffeinlagen. Entsorgen und recyceln Sie das Verpackungsmaterial verantwortungsbewusst.
- Untersuchen Sie das Gerät gründlich auf sichtbare Schäden, Kratzer oder Mängel. Überprüfen Sie, ob alle erwarteten Teile und Zubehörteile vorhanden sind, und melden Sie jede Beschädigung oder fehlende Bauteile unserem Kundendienst-Team.

4. Betrieb/Nutzung

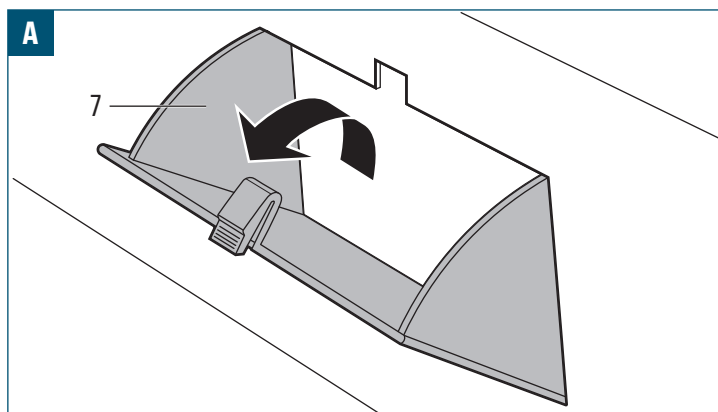
4.1 Auffüllen des Wassertanks

HINWEIS!

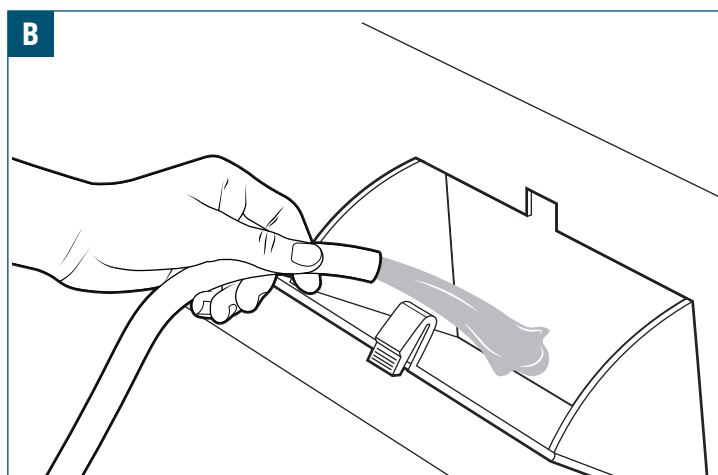
» Der Wassertank (8) kann je nach Präferenz des Benutzers auf 2 Arten befüllt werden.

4.1.1 Manuelle Wasserbefüllung

1. Öffnen Sie den Wassereinlass (7) (Abb. A).



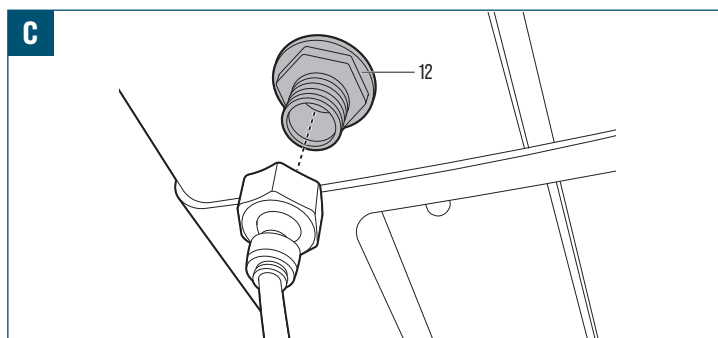
2. Befüllen Sie den Wassertank (8) mit sauberem Wasser (Abb. B).



3. Überwachen Sie die Wasserstandsanzeige (10)/(11) und halten Sie das Wasser unter dem höchsten Niveau.

4.1.2 Automatische Wasserbefüllung

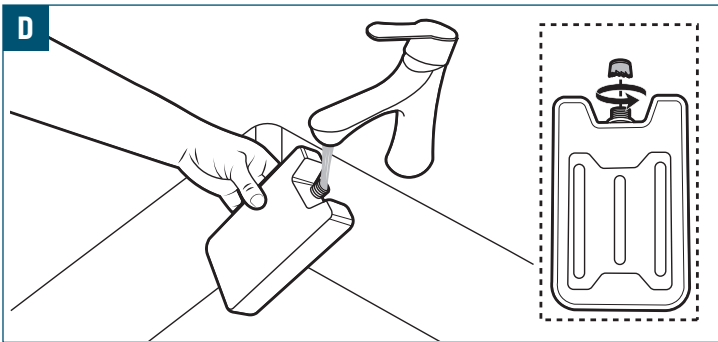
1. Schließen Sie den entsprechenden Wasserzulaufschlauch (Ø13 mm) an den automatischen Wassereinfüllstutzen (11)/(12) an (Abb. C).



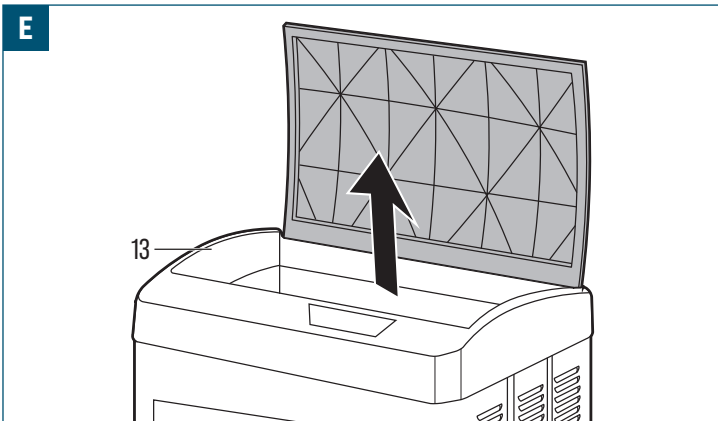
2. Sobald der entsprechende Wasserstand erreicht ist, aktiviert und stoppt das Schwimmerventil automatisch die Wasserzufuhr.

4.2 Verwendung des Kühlakkus (nur für H136180)

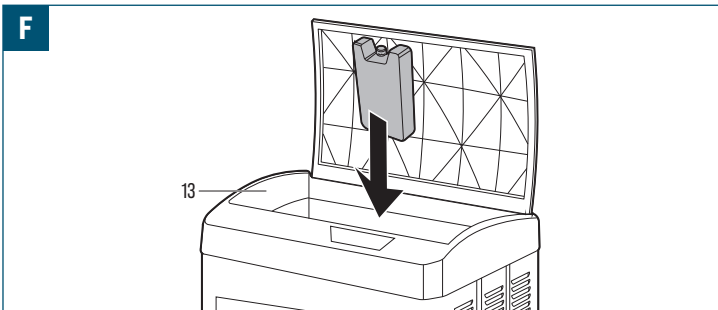
1. Öffnen Sie die Kappe des Kühlakkus und befüllen Sie ihn mit Wasser (Abb. D). Befüllen Sie den Kühlakku nur zu ca. 80 %.



2. Stellen Sie den Kühlakku für 30 bis 40 Minuten beiseite, bis sich das Wasser und die Eiskristalle vollständig vermischt haben.
3. Stellen Sie den Kühlakku für mindestens 2 Stunden in den Gefrierschrank.
4. Öffnen Sie den Deckel des Kühlakku-Fachs (13) (Abb. E).

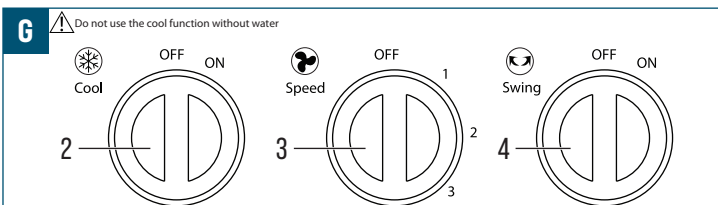


5. Legen Sie den gefrorenen Kühlakku in das Kühlakku-Fach (13) (Abb. F).



6. Frieren Sie den Kühlakku wieder ein, wenn er weich wird.

4.3 Bedienfeld



- **Cool** (Kühlung)-Drehregler (2) – Schaltet das Verdunstungskühlsystem ein oder aus. Wenn der Drehregler auf **ON** (EIN) gestellt ist, zirkuliert die Pumpe Wasser durch den Nassvorhang, um einen gekühlten Luftstrom zu erzeugen. Die **Cooling** (Kühlung)-Funktion darf nicht verwendet werden, wenn der Wassertank leer ist.
- **Speed** (Drehzahl)-Drehregler (3) – Passt die Luftstromrate an. Es stehen drei Lüftergeschwindigkeiten zur Verfügung: 1 für leisen Betrieb, 2 für Standardkühlung und 3 für maximalen Luftstrom.
- **Swing** (Schwenkung)-Drehregler (4) – Schaltet die horizontale Schwenkung des Lüftungsgitters ein oder aus. Wenn der Drehregler aktiviert ist, bewegt sich das Lüftungsgitter von Seite zu Seite, um den Luftstrom über einen größeren Bereich zu verteilen.

4.4 Bedienen des Geräts

HINWEIS!

» Verwenden Sie die **Cool** (Kühlung)-Funktion nicht, wenn der Wassertank (8) leer ist.

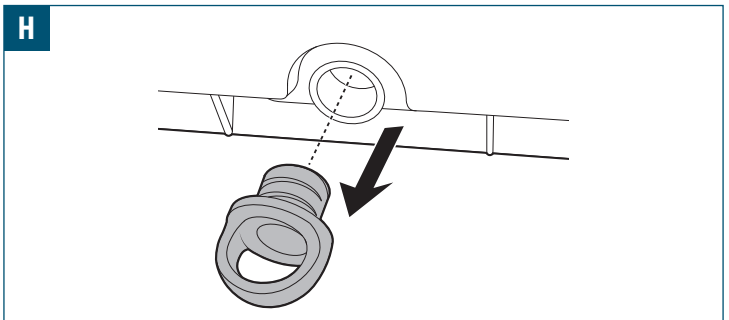
1. Stellen Sie das Gerät auf eine stabile, ebene Oberfläche mit ausreichend Platz für den Luftstrom um den Luftauslass (5) und die Seitenwände.
2. Befüllen Sie den Wassertank (8) manuell oder schließen Sie das automatische Wasserfüllsystem an, wie in Kapitel 4.1 **Auffüllen des Wassertanks** beschrieben.
3. Schließen Sie den Netzstecker an eine ordnungsgemäß geerdete Steckdose an.
4. Wählen Sie die gewünschte Lüftergeschwindigkeit mit dem **Speed** (Drehzahl)-Drehregler (3) aus.
5. Drehen Sie den **Cool** (Kühlung)-Drehregler (2) auf **ON** (EIN), um das Verdunstungskühlsystem zu aktivieren.
6. Drehen Sie den **Swing** (Schwenkung)-Drehregler (4) auf **ON** (EIN), wenn eine Schwenkung des Lüftungsgitters (6) gewünscht ist.
7. Überwachen Sie den Wasserstand während des Betriebs regelmäßig und füllen Sie den Wassertank bei Bedarf nach.
8. Bringen Sie nach der Verwendung alle Drehregler in Position **OFF** (AUS) und ziehen Sie den Netzstecker, wenn das Gerät nicht bald wieder in Betrieb genommen wird.

4.5 Entleeren des Wassertanks

HINWEIS!

» Entleeren Sie den Wassertank regelmäßig, vor der langfristigen Lagerung und wenn eine Reinigung erforderlich ist.

1. Stellen Sie einen Behälter direkt unter den Abfluss (9).
2. Entfernen Sie die Abflussschraube (Abb. H). Das Abwasser läuft aus dem Abflussloch ab.



3. Neigen Sie das Gerät leicht, um das gesamte restliche Wasser zu entleeren.
4. Bringen Sie die Abflussschraube vor dem Nachfüllen wieder sicher an.

5. Reinigung und Pflege

⚠️ WARNUNG! Risiko eines Stromschlags!

» Schalten Sie stets das Gerät aus und trennen Sie es von der Stromquelle, bevor Sie Reinigungsarbeiten ausführen. Dies dient dazu, während der Reinigung das Risiko eines elektrischen Schlags zu verringern.

5.1 Reinigung

VORSICHT! Beschädigungsrisiko!

» Vermeiden Sie die Verwendung von scharfen oder scheuernden Reinigungsmitteln, Lösungsmitteln, Scheuerschwämmen oder Schrubbern, die die Oberflächen beschädigen, Schutzbeschichtungen entfernen oder Korrosion verursachen können, wenn Sie das Gerät reinigen.

- Wischen Sie das Gerät mit einem leicht angefeuchteten Tuch ab.
- Halten Sie den Luftauslass (5) und das Lüftungsgitter (6) frei von Staubansammlungen, um einen ordnungsgemäßen Luftstrom aufrechtzuerhalten.
- Reinigen Sie den Wassertank (8) regelmäßig, um Kalkbildung zu vermeiden. Entleeren Sie den Wassertank (8), wischen Sie die Innenseite mit einem weichen Tuch ab und füllen Sie sauberes Wasser nach.
- Verwenden Sie keinen Schlauch oder Hochdruckwasser am Gerät.

5.2 Lagerung

HINWEIS!

- » Reinigen Sie das Gerät gründlich und entfernen Sie Schmutz, Ablagerungen und eventuelle Rückstände. Stellen Sie sicher, dass alle Teile trocken sind, um Korrosion oder Beschädigung während der Lagerung zu vermeiden.
- » Lagern Sie das Gerät in einem sauberen, trockenen und gut belüfteten Bereich. Vermeiden Sie es, das Gerät in Bereichen zu lagern, die Nässe, Feuchtigkeit, übermäßiger Hitze oder direkter Sonneneinstrahlung ausgesetzt sind.
- » Achten Sie darauf, dass das Gerät an einem sicheren Ort aufbewahrt wird, zu dem Kinder und Haustiere nicht unbefugter Zugang haben.

- Wickeln Sie das Netzkabel ordentlich auf und vermeiden Sie scharfe Knicke, die zu Kabelbrüchen oder elektrischen Gefahren führen könnten.
- Platzieren Sie das Gerät auf einer ebenen, stabilen Oberfläche.
- Decken Sie das Gerät mit geeigneten Abdeckungen ab, um es vor Staub und Verunreinigungen zu schützen.
- Überprüfen Sie regelmäßig das gelagerte Gerät, um sich zu vergewissern, dass es in gutem Zustand ist. Untersuchen Sie es auf jegliche Anzeichen von Schäden, Korrosion oder Schädlingen. Kümmern Sie sich umgehend um alle Probleme, um weitere Schäden oder eine weitere Verschlechterung zu verhindern.

5.3 Transport

- Verwenden Sie geeignete Riemen, Spanngurte oder Klammern, um das Gerät zu fixieren und Beschädigungen daran oder am Fahrzeug zu vermeiden.
- Verteilen Sie das Gewicht gleichmäßig, wenn Sie das Gerät auf ein Fahrzeug oder einen Anhänger laden.

6. Wartung

⚠️ WARNUNG! Risiko eines Stromschlags!

- » Schalten Sie das Gerät stets aus und trennen Sie es von der Stromquelle, bevor Sie Wartungsarbeiten ausführen. Dies dient dazu, während der Wartung das Risiko eines elektrischen Schlags zu verringern.

- Halten Sie den Lufterlass und Luftauslass frei von Staub und Hindernissen.
- Überprüfen Sie die Abflussoffnung und den Abflussschlauch, um sicherzustellen, dass das Wasser während des Entleerens frei fließt.
- Halten Sie das Gerät aufrecht, wenn Sie es bewegen oder lagern, um Schäden im Inneren zu vermeiden.
- Öffnen Sie den geschlossenen Kühlkreislauf nicht.

7. Fehlersuche

Folgen Sie den Anweisungen in diesem Kapitel, um Probleme und mögliche Lösungen zu bestimmen. Falls sich das Problem nicht selbst beheben lässt, wird empfohlen, ein autorisiertes Kundendienstzentrum oder einen qualifizierten Fachmann zurate zu ziehen, um weitere Inspektions-, Wartungs- und Reparaturarbeiten vorzunehmen. Alternativ können Sie sich auch an unser Kundendienst-Team wenden, um weitere Unterstützung zu erhalten.

Symptom	Mögliche Ursache	Mögliche Lösung
Den Luftstrom ist schwach.	• Staub hat sich am Luftauslass (5) oder am Lüftungsgitter (6) angesammelt.	• Reinigen Sie den Luftauslass (5) und das Lüftungsgitter (6), um den normalen Luftstrom wiederherzustellen.
Es tritt kein Luftstrom aus dem Gerät aus.	• Das Bedienfeld (1) funktioniert nicht richtig.	• Lassen Sie das Bedienfeld (1) von einer qualifizierten Fachkraft untersuchen oder ersetzen.
Wasser tritt aus dem Gerät aus.	• Die Abflussschraube ist nicht richtig geschlossen. • Der Wassertank (8) ist überfüllt.	• Stellen Sie die Abflussschraube ein oder sichern Sie diese, um ein Auslaufen zu verhindern. • Reduzieren Sie den Wasserstand im Wassertank (8).
Die Kühlleistung ist niedrig.	• Der Wassertank (8) enthält nicht genug Wasser.	• Füllen Sie den Wassertank (8) nach und aktivieren Sie den Cool (Kühlung)-Drehregler (2).
Das Gerät vibriert oder macht ungewöhnliche Geräusche.	• Das Gerät wurde auf eine unebene Fläche gestellt. • Das Lüfterblatt oder das Lüftungsgitter (6) ist lose.	• Stellen Sie das Gerät auf eine stabile und ebene Oberfläche. • Lassen Sie das Gerät von einer qualifizierten Fachkraft überprüfen oder warten.

8. Entsorgung

8.1 Entsorgung des Produkts



Die Richtlinie über Elektro- und Elektronik-Altgeräte (WEEE) zielt darauf ab, durch Steigerung der Wiederverwendung und des Recyclings sowie durch Reduktion der Anzahl an Elektro- und Elektronik-Altgeräten, die auf Mülldeponien landen, die Auswirkungen von elektrischen und elektronischen Waren auf die Umwelt und die menschliche Gesundheit zu minimieren. Das Symbol auf dem Produkt und dessen Verpackung weist darauf hin, dass das Produkt am Ende seiner Nutzungsdauer separat vom normalen Hausmüll entsorgt werden muss. Beachten Sie, dass es in Ihrer Verantwortung als Eigentümer liegt, Elektro- und Elektronik-Altgeräte in Recycling-Zentren zu entsorgen, um die natürlichen Ressourcen zu erhalten. Jedes Land besitzt eigene Sammelstellen für Elektro- und Elektronik-Altgeräte. Informationen zu Recycling-Annahmestellen erhalten Sie bei der örtlichen Behörde zur Entsorgung von Elektro- und Elektronik-Altgeräten, bei Ihrer örtlichen Behörde oder Ihrem Abfallentsorgungsunternehmen.

8.2 Entsorgung der Verpackung/des Verpackungsmaterials

Korrektes Sortieren und Entsorgen von Verpackungsmaterialien sind für ein umweltfreundliches Abfallmanagement unerlässlich. Die Verpackung ist so konzipiert, dass sie das Produkt während des Transports schützt. Sie besteht aus Materialien, die wiederverwertet werden können.

- Entsorgen Sie Verpackungen aus Karton und Pappe, indem Sie sie beim Recyclingservice für Papier oder der Sammelstelle für Altpapier abgeben. Erkundigen Sie sich bei den örtlichen Recycling-Einrichtungen nach speziellen Richtlinien für das Recycling von Karton und Pappe.
- Bezüglich der Entsorgung von Umhüllungen, Einlagen, Bändern und anderen Kunststoffverpackungen erkundigen Sie sich bei den örtlichen Recycling-Einrichtungen nach speziellen Richtlinien zu Recycling- oder Entsorgungsmethoden. Befolgen Sie deren Anweisungen, um eine ordnungsgemäße Entsorgung zu gewährleisten und die umweltbezogene Nachhaltigkeit zu fördern.

HBM Machines steht hinter der Qualität und Handwerkskunst unserer Produkte. Diese Garantie gilt für alle Produkte, die direkt von unserem Unternehmen oder von autorisierten Händlern gekauft wurden.

Beschränkte Garantie:

Für unsere Produkte gilt eine beschränkte Garantie von **2 Jahren** auf Material- und Verarbeitungsfehler. Wenn während der Garantiezeit festgestellt wird, dass ein Produkt einen Herstellungsfehler aufweist, werden wir nach unserem Ermessen das defekte Produkt reparieren oder ersetzen oder den Kaufpreis erstatten.

Ausnahmen:

Diese Garantie umfasst keine Schäden, die durch unsachgemäßen Gebrauch, Missbrauch, Fahrlässigkeit, unsachgemäße Installation, Unfälle, normale Abnutzung, Naturereignisse oder nicht autorisierte Modifikationen oder Reparaturen entstehen. Darüber hinaus umfasst diese Garantie keine Schäden oder Mängel, die sich aus der Nichteinhaltung unserer Produkthanweisungen, technischen Daten oder Richtlinien zur empfohlenen Verwendung ergeben.

Anspruchsverfahren:

Um einen Garantieanspruch geltend zu machen, ist der Original-Kaufbeleg, beispielsweise eine Quittung oder Bestellnummer, erforderlich.

Um festzustellen, ob ein Produkt von der Garantie umfasst ist, können wir zusätzliche Informationen oder Nachweise für den Mangel anfordern, beispielsweise Fotos oder eine Rücksendung des Produkts. Wenden Sie sich direkt an unser Kundendienst-Team, um einen Garantieanspruch zu besprechen und einzuleiten. Details zur Kontaktaufnahme finden Sie auf unserer Website oder in den Produktunterlagen.

Sonstige Bedingungen und Bestimmungen:

- Diese Garantie ist nicht übertragbar und gilt nur für den ursprünglichen Käufer.
- Wir behalten uns das Recht vor, diese Garantie jederzeit ohne vorherige Ankündigung zu ändern oder zu modifizieren. Es gilt die zum Zeitpunkt des Kaufs gültige Garantie.
- Diese Garantie gewährt Ihnen bestimmte gesetzliche Rechte. Sie können auch andere Rechte haben, die je nach den örtlichen Gesetzen oder Verordnungen variieren.

Besuchen Sie unsere Website oder wenden Sie sich an unser Kundendienst-Team, um weitere Informationen oder Anfragen zum Umfang unserer Garantie zu erhalten.

10. Kundendienst

Haben Sie eine Frage, eine Anmerkung oder eine Beschwerde? Unser Kundendienst-Team ist werktags von 9:00 Uhr bis 17:30 Uhr erreichbar. Ganz gleich, ob Sie Hilfe bei Nutzung, Wartung, Fehlersuche, Ersatzteilen oder Sicherheitsverfahren benötigen, wir bieten Ihnen die Unterstützung, die Sie brauchen.

Um unser Kundendienst-Team zu erreichen, senden Sie bitte eine E-Mail an info@hbm-machines.com

Wenn Sie sich mit unserem Kundendienst-Team in Verbindung setzen, geben Sie bitte die Modell- und Seriennummer des Produkts an und beschreiben Sie ausführlich das Problem oder den aufgetretenen Fehler. Die Angabe spezifischer Details wie Fehlercodes, anomale Geräusche oder andere relevante Umstände helfen uns, das Problem zu diagnostizieren und zu beheben.



HBM Machines B.V.
Louis Dobbelmanweg 12
2742 JZ Waddinxveen
The Netherlands

www.hbm-machines.com
info@hbm-machines.com

Made in China · Gemaakt in China ·
Fabriqué en Chine · Hergestellt in China